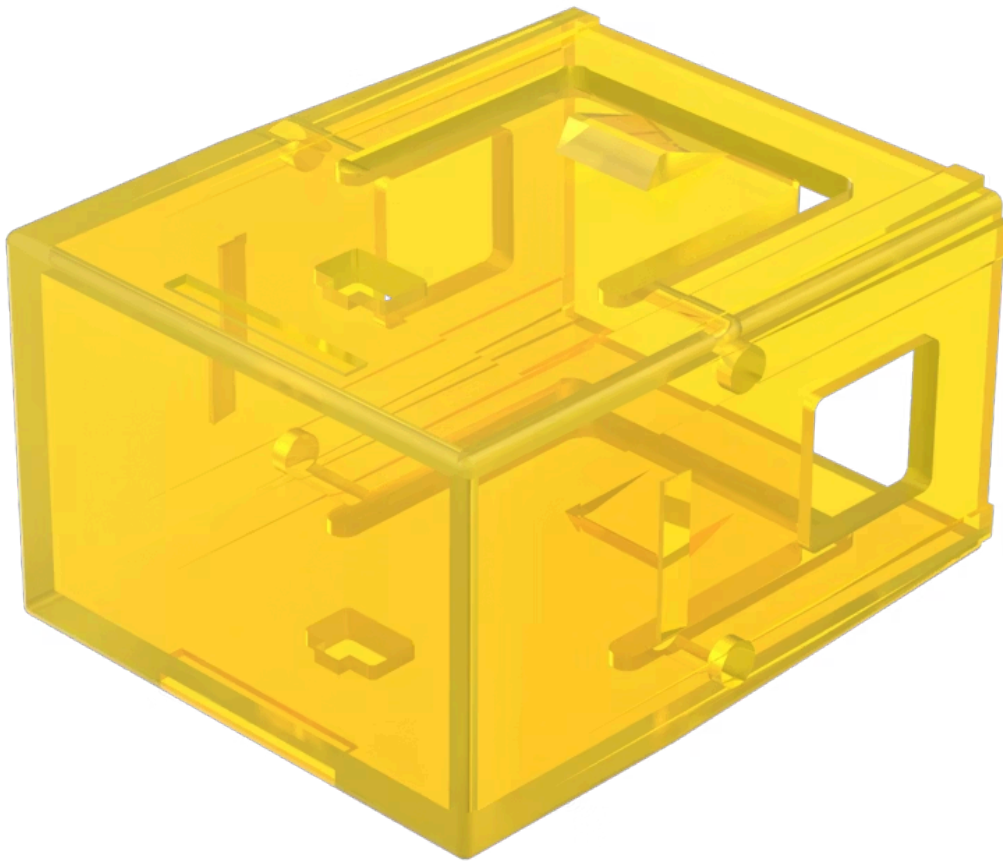


Lens

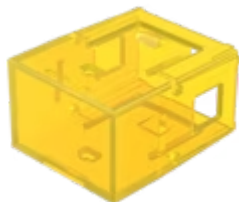
02-
901.4

Distribution by
Mouser



<https://mouser.eao.com/component/02-901.4/en/...>

Your product:



02-901.4 Lens

Loading ...

PRODUCT RANGE

Product Status: Not Recommended for new design

FRONT

Front form: Rectangular

OPERATING-/INDICATION PART

Lens colour: Yellow

Lens material: Plastic

Lens illumination: Illuminated

Lens shape: Flush

Lens optics: translucent

MECHANICAL CHARACTERISTICS

Weight: 0.004 kg

CERTIFICATE

REACH: REACH compliant

RoHS: RoHS compliant

OTHER

Short Description: Lens, 17.5 mm x 25.4 mm, Illuminated, Yellow, Flush, Plastic

Dimension: 17.5 mm x 25.4 mm

Product attributes:

Not recommended for film insert