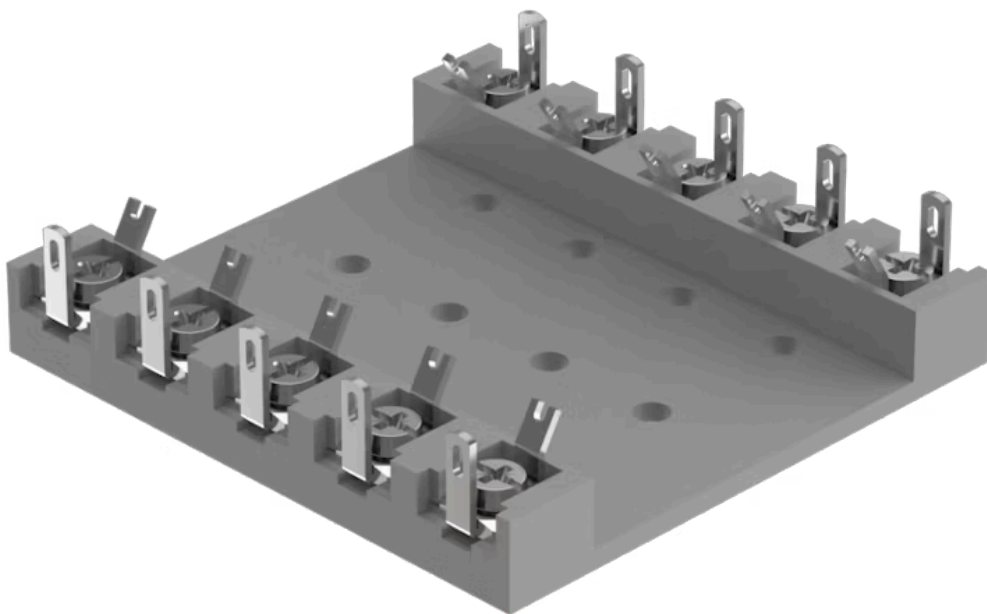


Terminal plate empty

02-912.1

Distribution by
Mouser



<https://mouser.eao.com/component/02-912.1/en/...>

Your product:



02-912.1 Terminal plate empty

Loading ...

PRODUCT RANGE

Product Status: Not Recommended for new design

ELECTRICAL CHARACTERISTICS

Forward voltage:

MECHANICAL CHARACTERISTICS

Weight: 0.025 kg

OTHER

Short Description: Terminal plate empty, 62.5 mm x 60 mm x 15 mm

Titel Accessory: Terminal plate empty

Dimension: 62.5 mm x 60 mm x 15 mm

Product attributes: 5 spaces

Hints: For fitting with series resistors