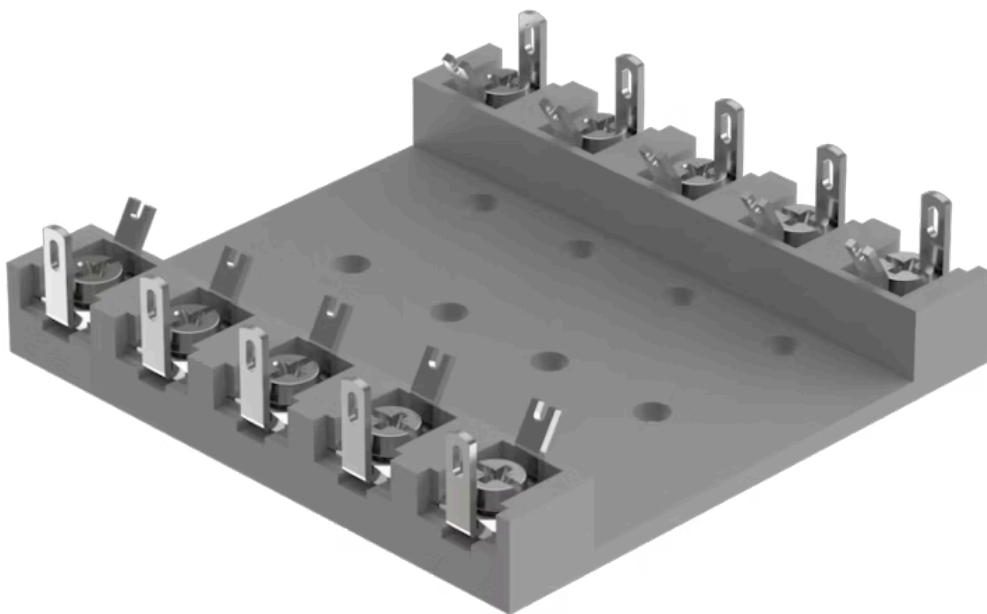


Terminal plate empty

02-912.4

Distribution by
Mouser



<https://mouser.eao.com/component/02-912.4/en/...>

Your product:



02-912.4 Terminal plate empty

Loading . . .

PRODUCT RANGE

Product Status: Not Recommended for new design

MECHANICAL CHARACTERISTICS

Weight: 0.15 kg

OTHER

Short Description: Terminal plate empty, 250 mm x 60 mm x 15 mm

Titel Accessory: Terminal plate empty

Dimension: 250 mm x 60 mm x 15 mm

Product attributes: 20 spaces

Hints: For fitting with series resistors