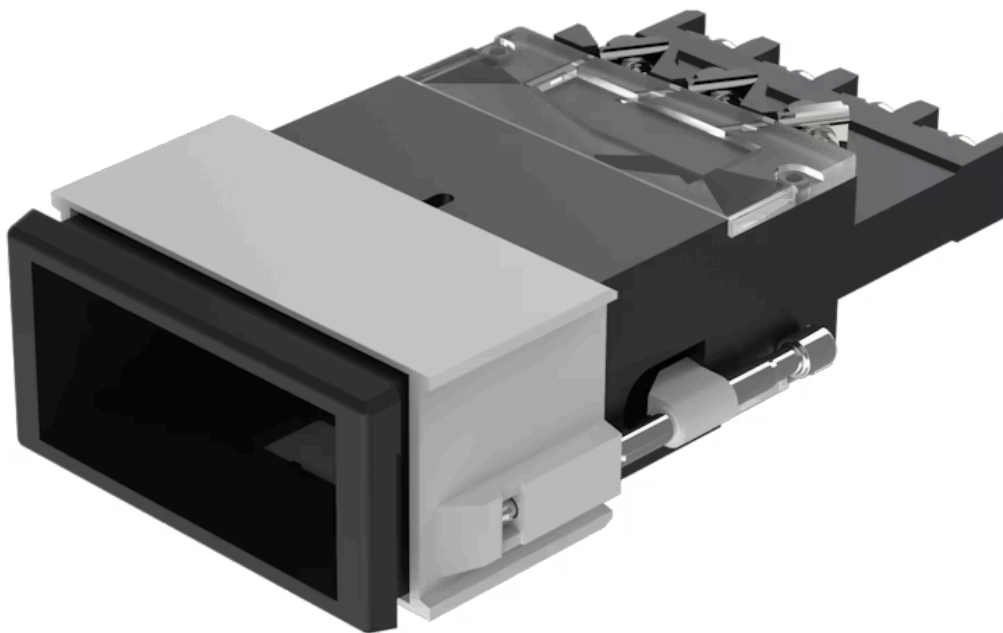


# Actuator

03-  
624.011

Distribution by  
Mouser



<https://mouser.eao.com/component/03-624.011/e...>

Your product:

---



## 03-624.011 Actuator

*Loading ...*

### PRODUCT RANGE

**Product Status:** Not Recommended for new design

### FRONT

**Front form:** Rectangular

**Front bezel colour:** Black

**Front bezel material:** Plastic

### MOUNTING

**Design:** Flush

**Mounting cut-out:** 21.2 mm x 41.2 mm

**Mounting type:** Panel mounting

### OPERATING-/INDICATION PART

**Lens illumination:** Illuminated

### ELECTRICAL CHARACTERISTICS

**Switching voltage and switching current:** according to UL  
250 VAC, 10 A  
according to IEC 60947-5-1  
AC-12: 400 V, 10 A  
AC-15: 250 V, 8 A  
DC-13: 60 V, 1 A  
AC-15: 400 V, 6 A  
DC-13: 110 V, 0.4 A  
DC-13: 24 V, 3 A

**Contacts:** 2 C

**Rated insulation voltage Ui:** 400 VAC/440 VDC according to IEC 60947-5-1

**Switching rating:** 400 V @ 10 A

|  |   |
|--|---|
| <b>Electric strength:</b>              | 2500 VAC, 50 Hz, 1 minute, as per IEC 60947-5-1 between all terminals and earth             |
| <b>Standards:</b>                      | The switches comply with the "Standards for low-voltage switching devices" EN IEC 60947-5-1 |
| <b>Thermal current I<sub>th</sub>:</b> | 10 A  |

## MECHANICAL CHARACTERISTICS

|                             |   |
|-----------------------------|---|
| <b>Terminal:</b>            | Screw terminal  |
| <b>Contact material:</b>    | Silver  |
| <b>Switching action:</b>    | Momentary   |
| <b>Switching system:</b>    | Snap-action switching element   |
| <b>Switching system:</b>    | 1 or 2 self-cleaning snap action switching elements.<br>1 or 2 double-throw contacts.                                   |
| <b>Mechanical lifetime:</b> | 2 Mil. cycles of operation  |
| <b>Operating force:</b>     | 6 ... 12 N  |
| <b>Operating Travel:</b>    | ca. 5 mm  |
| <b>Tightening torque:</b>   | Fixing sleeve max. 0.2 Nm, Screw terminal 0.8 Nm  |
| <b>Terminal details 1:</b>  | Max. wire cross-section 2 mm x 2.5 mm <sup>2</sup><br>Max. wire cross-section of stranded cable 2 x 1.5 mm <sup>2</sup> |
| <b>Weight:</b>              | 0.084 kg  |

## AMBIENT CONDITION

|                               |   |
|-------------------------------|---|
| <b>IP Protection:</b>         | IP40 front side, IP65 with spray cover, according to IEC 60529                |
| <b>Operating temperature:</b> | - 25 °C ... + 55 °C, mounted as a block, make sure the heat can escape freely |
| <b>Storage temperature:</b>   | - 30 °C ... + 85 °C   |
| <b>Shock resistance:</b>      | 15 g for 11 ms, according to IEC 60068-2-27                                   |
| <b>Vibration resistance:</b>  | 10 g at 10 Hz...2000 Hz, amplitude 1.0 mm, according to IEC 60068-2-6         |

## CERTIFICATE

|                      |   |
|----------------------|---|
| <b>Approbations:</b> | CB (IEC 61058-1), CSA, DNV, UL                        |
| <b>Conformities:</b> | CE, UKCA, 2011 / 65 / EC (RoHS), 2014 / 35 / EU (LVD) |
| <b>REACH:</b>        | REACH compliant                                       |
| <b>RoHS:</b>         | RoHS compliant  |

**OTHER**

**Short Description:** Actuator, 21.2 mm x 41.2 mm, Illuminated, Rectangular, Black, Plastic, 2 C, Momentary, Screw terminal

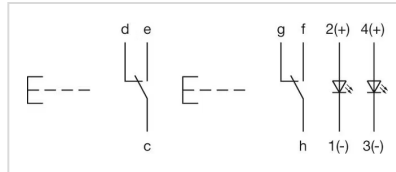
**Housing colour:** Black

**Housing material:** Plastic

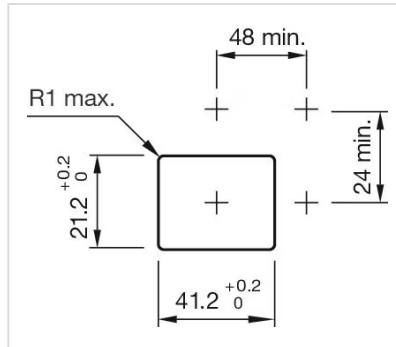
**Product attributes:** Has two independent lamp bases, has independent changeover

**Hints:** Has two independent lamp bases  
For LED element fitting information see Application guidelines, LED polarity

**Wiring diagrams:**



**Mounting cut-outs:**



**Dimension drawings:**

