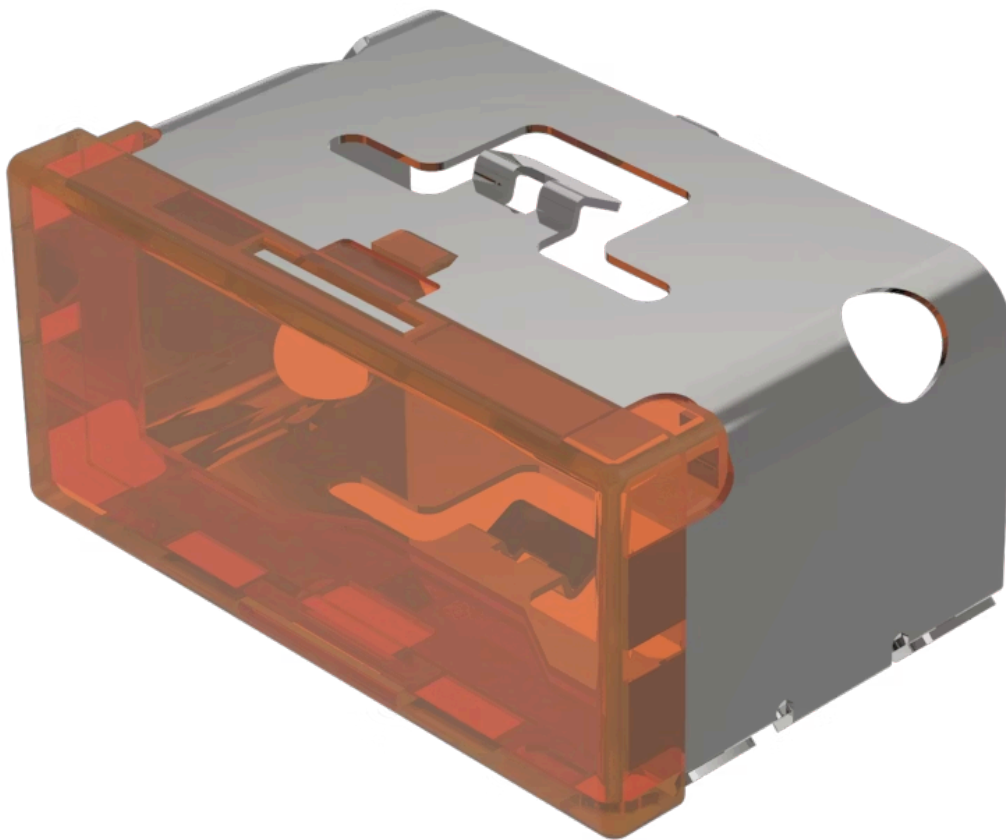


Lens

03-
901.3

Distribution by
Mouser



<https://mouser.eao.com/component/03-901.3/en/...>

Your product:



03-901.3 Lens

Loading ...

PRODUCT RANGE

Product Status: Not Recommended for new design

FRONT

Front form: Rectangular

OPERATING-/INDICATION PART

Lens colour: Orange

Lens material: Plastic

Lens illumination: Illuminated

Lens shape: Flush

Lens optics: translucent

MECHANICAL CHARACTERISTICS

Weight: 0.009 kg

CERTIFICATE

REACH: REACH compliant

RoHS: RoHS compliant

OTHER

Short Description: Lens, 18 mm x 38 mm, Illuminated, Orange, Flush, Plastic

Dimension: 18 mm x 38 mm

Product attributes:

Not recommended for film insert