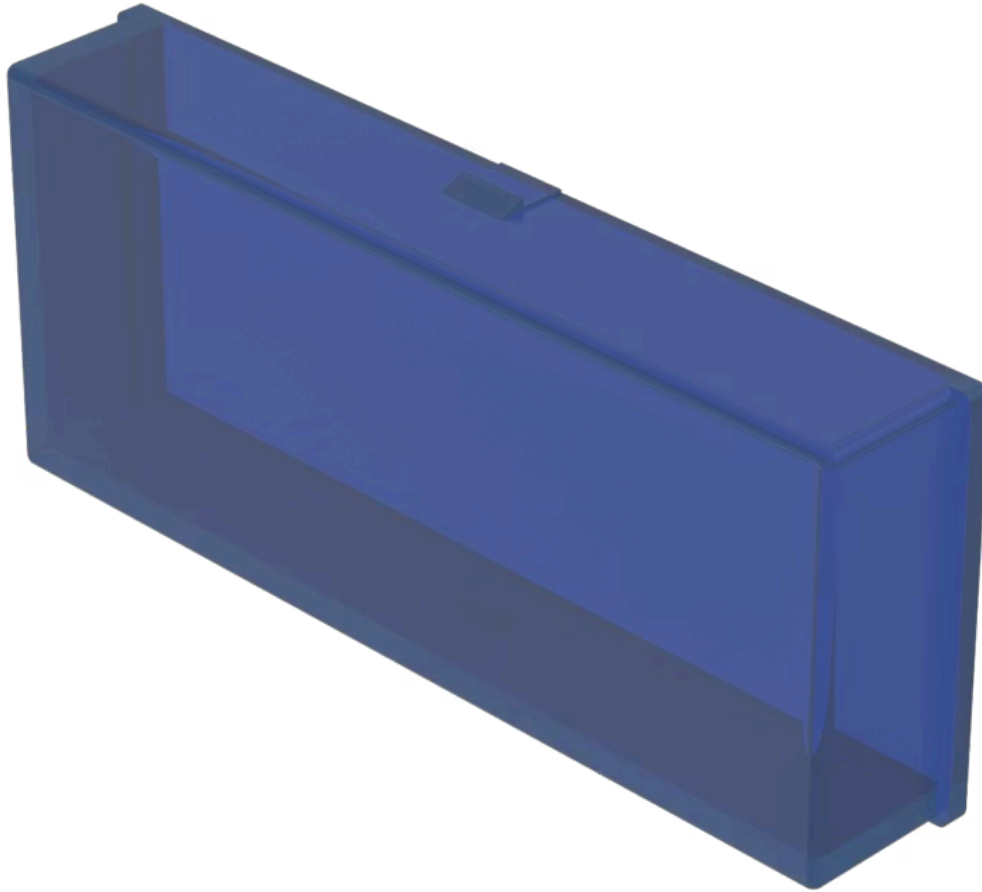


Hold-down unit

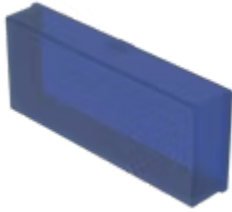
03-908.6

Distribution by
Mouser



<https://mouser.eao.com/component/03-908.6/en/...>

Your product:



03-908.6 Hold-down unit

Loading ...

PRODUCT RANGE

Product Status: Not Recommended for new design

FRONT

Colour: Blue

MECHANICAL CHARACTERISTICS

Weight: 0.001 kg

OTHER

Short Description: Hold-down unit, Plastic, translucent, Blue

Title Accessory: Hold-down unit

Material: Plastic

Product attributes: For film insert

Optics: translucent