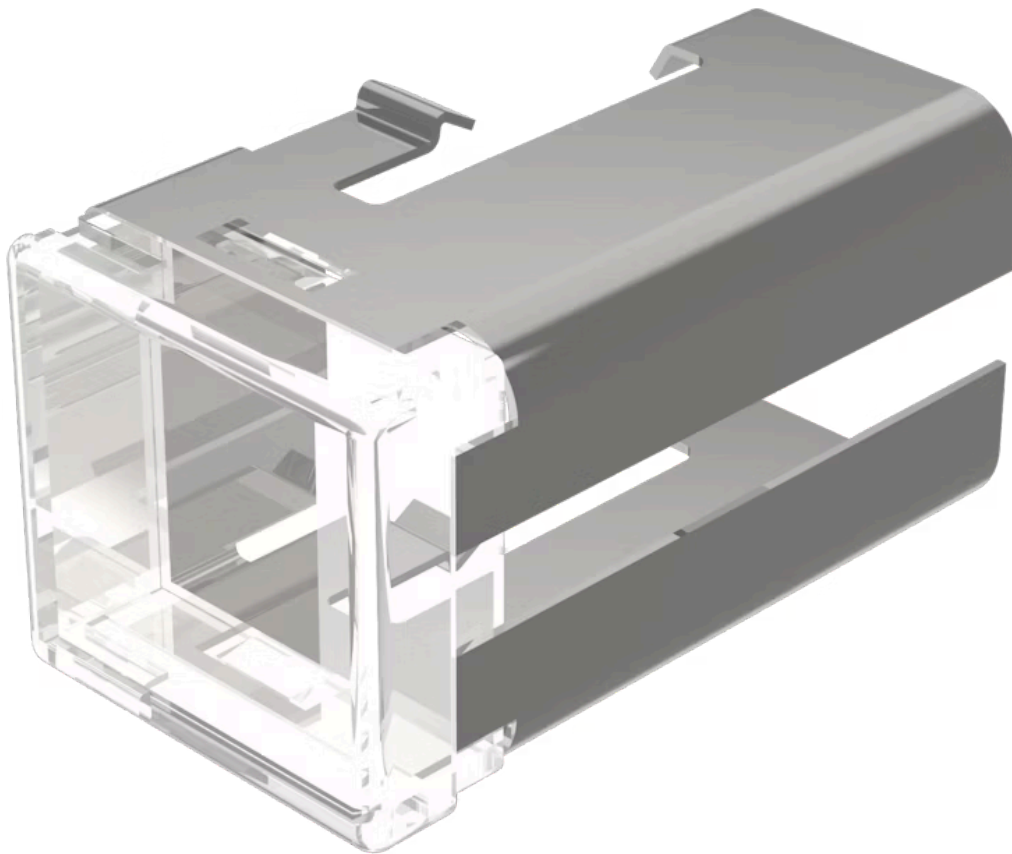


# Lens

03-  
921.7

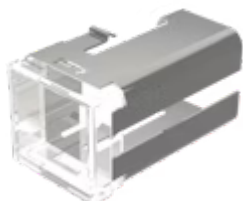
Distribution by  
Mouser



<https://mouser.eao.com/component/03-921.7/en/...>

Your product:

---



## 03-921.7 Lens

*Loading ...*

### PRODUCT RANGE

**Product Status:** Not Recommended for new design

### FRONT

**Front form:** Rectangular

### OPERATING-/INDICATION PART

**Lens colour:** Colourless

**Lens material:** Plastic

**Lens illumination:** Illuminated

**Lens shape:** Flush

**Lens optics:** translucent

### MECHANICAL CHARACTERISTICS

**Weight:** 0.004 kg

### CERTIFICATE

**REACH:** REACH compliant

**RoHS:** RoHS compliant

### OTHER

**Short Description:** Lens, 18 mm x 19 mm, Illuminated, Colourless, Flush, Plastic

**Dimension:** 18 mm x 19 mm

**Product attributes:**

Not recommended for film insert

**Hints:**

Order two lenses