

# Bi-colour LED

10-2H12.314B

Distribution by  
Mouser



<https://mouser.eao.com/component/10-2H12.314B...>

Your product:

---



## 10-2H12.314B Bi-colour LED

*Loading ...*

### OPERATING-/INDICATION PART

**Illumination colour:** Red / Yellow

### ELECTRICAL CHARACTERISTICS

**Operating voltage:** 24 V DC +10%

**Operation current:** 15 mA  $\pm$ 15 %

**Lumi. Intensity:** 1200/550 mcd

### MECHANICAL CHARACTERISTICS

**Weight:** 0.002 kg

### CERTIFICATE

**REACH:** REACH compliant

**RoHS:** RoHS compliant

### OTHER

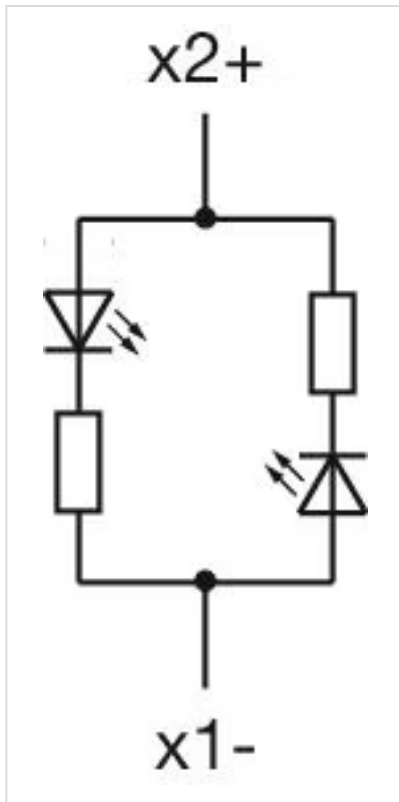
**Short Description:** Bi-colour LED, BA9s, Red / Yellow, 24 V DC +10%

**Kind of illumination:** Bi-colour-LED

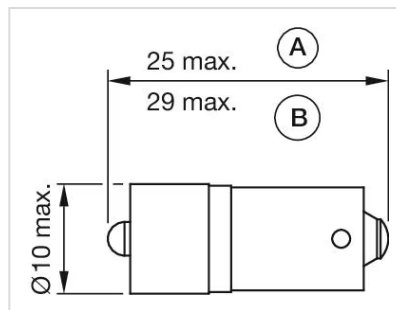
**Product attributes:** X2: + = Red / X1: + = Yellow

**Hints:** The max. overall length of the lamp may not exceed 25mm  
Electrical and optical data are measured at 25 °C  
The specified 6 V DC, 24 V DC Bi-colour; 130 V AC, 130 V DC and 230 V AC versions are built with a protection diode  
Luminosity and wave length variations caused by LED manufacturing processes may cause slight differences regarding the illumination. The customer has to decide what resistor shall be used to the LED

**Wiring diagrams:**



Dimension drawings:



A = (standard)  
B = (super bright)