

# Actuator

14-  
741.006

Distribution by  
Mouser



Your product:

---



## 14-741.006 Actuator

### FRONT

**Front form:** Round

### MOUNTING

**Design:** Raised

**Mounting cut-out:** Ø 22.3 mm

**Mounting type:** Panel mounting

### ELECTRICAL CHARACTERISTICS

**Operating voltage:** 24 V AC/DC

### MECHANICAL CHARACTERISTICS

**Terminal:** Universal terminal, 2 x 0.5 mm

**Tightening torque:** Fixing nut max. 0.25 Nm

**Weight:** 0.012 kg

### AMBIENT CONDITION

**IP front protection:** IP67, according to DIN EN 60529

**Operating temperature:** – 25 °C ... + 55 °C, mounted as a block, make sure the heat can escape freely

**Storage temperature:** – 40 °C ... + 85 °C

### CERTIFICATE

**Approbations:** CB (IEC 61058-1), CQC, CSA, DNV, ENEC (EN 61058-1), UL

**Conformities:** CE, UKCA, 2011 / 65 / EC (RoHS), 2014 / 35 / EU (LVD)

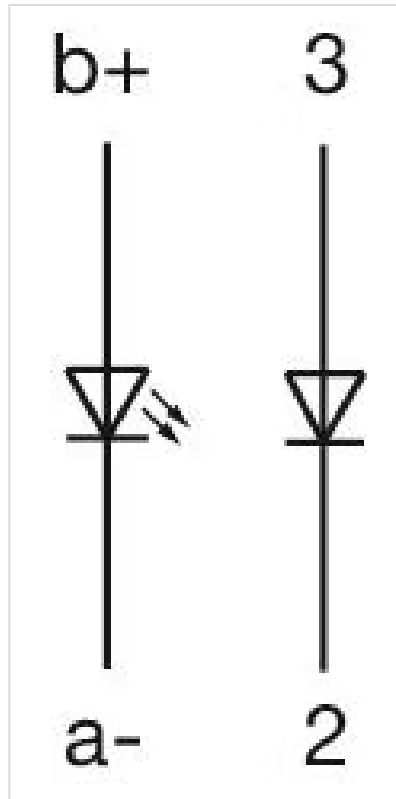
**REACH:** REACH compliant

**RoHS:** RoHS compliant

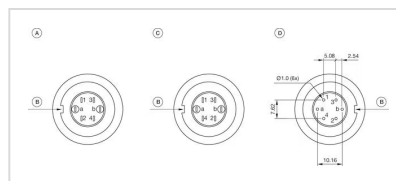
**OTHER**

**Short Description:** Actuator, Ø 22.3 mm, Round, Universal terminal, 2 x 0.5 mm, IP67, according to DIN EN 60529

**Wiring diagrams:**

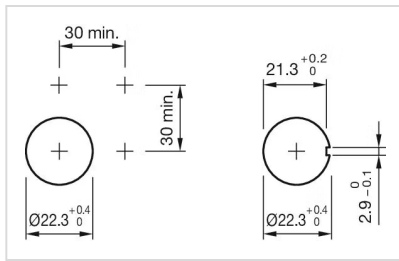


**Component layouts:**

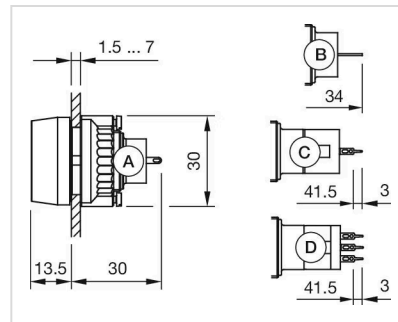


- A = Terminals (rear side)
- B = Anti twist device
- C = Diode block
- D = Drilling plan (component side)

**Mounting cut-outs:**



**Dimension drawings:**



- A = Solder terminal
- B = Plug-in terminal 2.8 x 0.5 mm
- C = Universal terminal 2.0 mm x 0.5 mm
- D = Universal-Solder terminal