

# Actuator

14-  
810.002

Distribution by  
Mouser



Your product:

---



## 14-810.002 Actuator

*Loading ...*

### FRONT

<b>Front dimension:</b>	Ø 29 mm
<b>Front form:</b>	Round
<b>Front bezel colour:</b>	Black
<b>Front bezel material:</b>	Plastic

### MOUNTING

<b>Design:</b>	Raised
<b>Mounting type:</b>	Panel mounting

### ELECTRICAL CHARACTERISTICS

<b>Operating voltage:</b>	24 V DC ±10 %
<b>Operation current:</b>	25 mA

### MECHANICAL CHARACTERISTICS

<b>Terminal:</b>	Plug-in terminal, 2.8 x 0.5 mm
<b>Tightening torque:</b>	Fixing nut max. 0.25 Nm
<b>Weight:</b>	0.009 kg

### ACOUSTICAL CHARACTERISTICS

<b>Tone frequency:</b>	Approx. 3.2 kHz continuous tone only
<b>Sound pressure:</b>	95 db (A) ±8 dB at a distance of 0.1m

## AMBIENT CONDITION

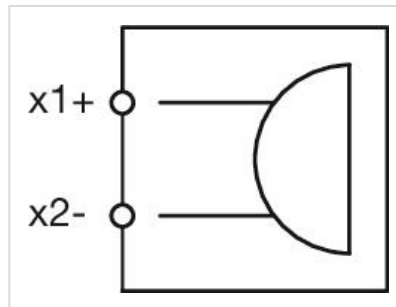
<b>IP front protection:</b>	IP65, according to DIN EN 60529
<b>Operating temperature:</b>	- 25 °C ... + 55 °C
<b>Storage temperature:</b>	- 40 °C ... + 85 °C

## CERTIFICATE

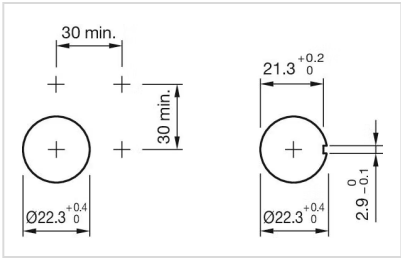
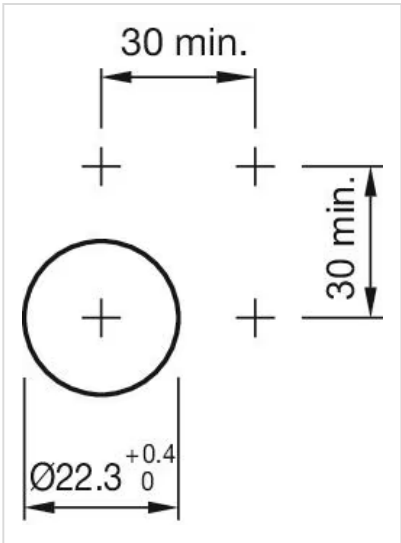
<b>Approbations:</b>	CQC, EMC
<b>Conformities:</b>	CE, UKCA, 2011 / 65 / EC (RoHS), 2014 / 35 / EU (LVD)
<b>REACH:</b>	REACH compliant
<b>RoHS:</b>	RoHS compliant

## OTHER

<b>Short Description:</b>	Actuator, Ø 29 mm, Round, Black, Plastic, Plug-in terminal, 2.8 x 0.5 mm, IP65, according to DIN EN 60529
<b>Hints:</b>	For PCB application use print adator
<b>Buzzer system:</b>	Piezo disc
<b>Wiring diagrams:</b>	



**Mounting cut-outs:**



**Dimension drawings:**

