

# Indicator

17-  
391352Z

Distribution by  
Mouser



<https://mouser.eao.com/component/17-391352Z/e...>

Your product:

---



## 17-391352Z Indicator

*Loading ...*

### FRONT

<b>Front dimension:</b>	Ø 16 mm
<b>Front form:</b>	Round
<b>Reflector:</b>	Plastic, Black

### MOUNTING

<b>Design:</b>	Raised
<b>Mounting cut-out:</b>	Ø 16.2 mm
<b>Mounting type:</b>	Panel mounting

### OPERATING-/INDICATION PART

<b>Lens:</b>	conical
<b>Illumination colour:</b>	Yellow

### ELECTRICAL CHARACTERISTICS

<b>Operating voltage:</b>	24 V DC ±10 %
<b>Operation current:</b>	3 mA ±15 %
<b>Lumi. Intensity:</b>	1640 mcd
<b>Polarity:</b>	Anode (+) Brass plug-in connector Cathode (-) Brass tinned plug-in connector

### MECHANICAL CHARACTERISTICS

<b>Terminal:</b>	Plug-in terminal, 2.8 x 0.8 mm
<b>Tightening torque:</b>	Fixing nut max. 0.2 Nm

**Weight:** 0.007 kg

### AMBIENT CONDITION

**IP Protection:** IP40 front side, IP65 front side, according to IEC 60529

**Operating temperature:** - 20 °C ... + 60 °C

**Storage temperature:** - 25 °C ... + 80 °C

### CERTIFICATE

**Approbations:** UL

**Conformities:** 2011 / 65 / EC (RoHS), 2014 / 35 / EU (230 VAC)

**REACH:** REACH compliant

**RoHS:** RoHS compliant

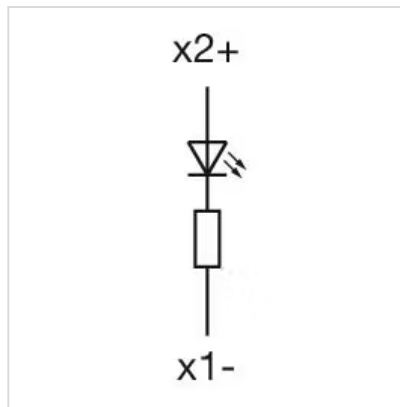
### OTHER

**Short Description:** Indicator, Ø 16.2 mm, Ø 16 mm, Round, Plug-in terminal, 2.8 x 0.8 mm, Yellow

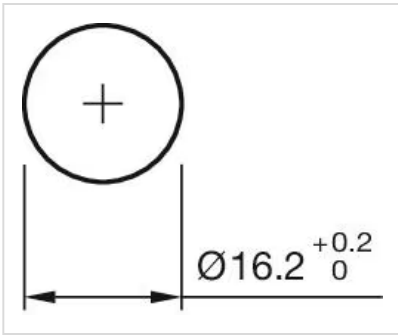
**Kind of illumination:** Single-LED

**Hints:** Maximum panel thickness 6 mm  
Connectors: Brass terminal = anode (+); brass tinned terminal = cathode (-)

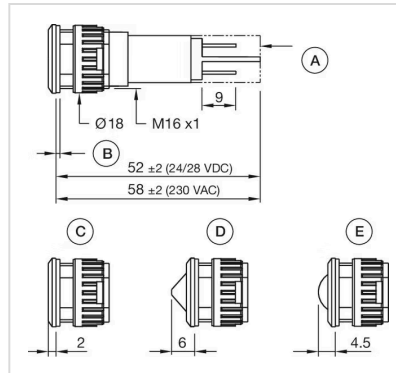
**Wiring diagrams:**



**Mounting cut-outs:**



**Dimension drawings:**



- A = Protection tube (only 230 VAC)
- B = 1 gasket
- C = flat
- conical
- D = round