

# Indicator

17-540354

Distribution by  
Mouser



<https://mouser.eao.com/component/17-540354/en...>

Your product:

---



## 17-540354 Indicator

*Loading ...*

### FRONT

|                         |                                 |
|-------------------------|---------------------------------|
| <b>Front dimension:</b> | Ø 25 mm                         |
| <b>Front form:</b>      | Round                           |
| <b>Reflector:</b>       | Metal, polished chromium-plated |

### MOUNTING

|                          |                |
|--------------------------|----------------|
| <b>Design:</b>           | Raised         |
| <b>Mounting cut-out:</b> | Ø 22.3 mm      |
| <b>Mounting type:</b>    | Panel mounting |

### OPERATING-/INDICATION PART

|                             |                      |
|-----------------------------|----------------------|
| <b>Lens:</b>                | round                |
| <b>Illumination colour:</b> | Red / Yellow / Green |

### ELECTRICAL CHARACTERISTICS

|                           |   |
|---------------------------|---|
| <b>Operating voltage:</b> | 24 V DC ±10 %   |
| <b>Operation current:</b> | 24 - 50 mA ±15 %  |
| <b>Lumi. Intensity:</b>   | 51/92/120 mcd   |
| <b>Polarity:</b>          | Anode (+) Brass plug-in connector<br>Cathode (-) Brass tinned plug-in connector |

### MECHANICAL CHARACTERISTICS

|                           |                                |
|---------------------------|--------------------------------|
| <b>Terminal:</b>          | Plug-in terminal, 2.8 x 0.8 mm |
| <b>Tightening torque:</b> | Fixing nut max. 0.2 Nm         |

**Weight:** 0.042 kg

### AMBIENT CONDITION

**IP Protection:** IP40 front side, IP65 front side, according to IEC 60529

**Operating temperature:** - 20 °C ... + 60 °C

**Storage temperature:** - 25 °C ... + 80 °C

### CERTIFICATE

**Approbations:** UL

**Conformities:** 2011 / 65 / EC (RoHS), 2014 / 35 / EU (230 VAC)

**REACH:** REACH compliant

**RoHS:** RoHS compliant

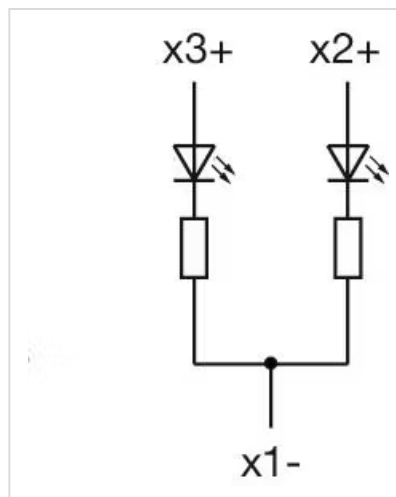
### OTHER

**Short Description:** Indicator, Ø 22.3 mm, Ø 25 mm, Round, Plug-in terminal, 2.8 x 0.8 mm, Red / Yellow / Green

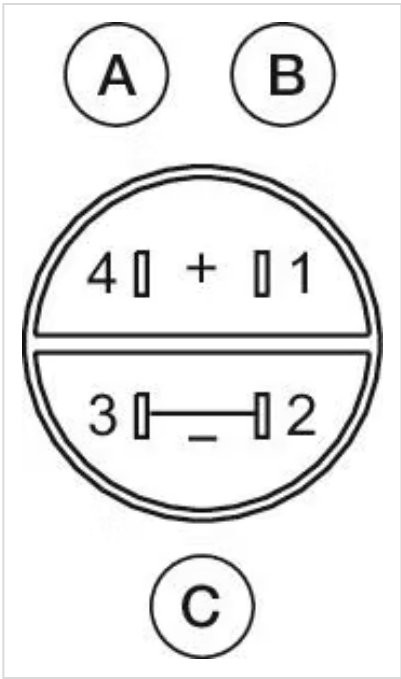
**Kind of illumination:** Tri-colour-LED

**Hints:** Connectors: Brass terminal = anode (+); brass tinned terminal = cathode (-)  
IP67 front side gap between LED and reflector and gap between reflector and frontplate sealed to IP67 when using the supplied gasket.  
The plastic is limited resistant to chemicals.

**Wiring diagrams:**

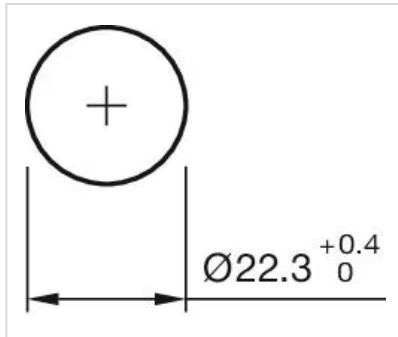


**Component layouts:**

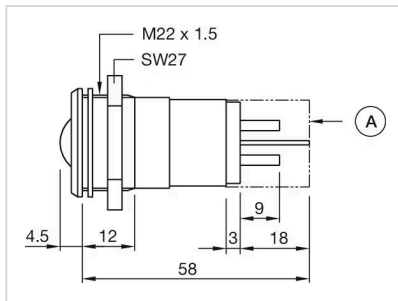


A = Green  
 B = Red  
 C = common cathode

**Mounting cut-outs:**



**Dimension drawings:**



A = Protection tube