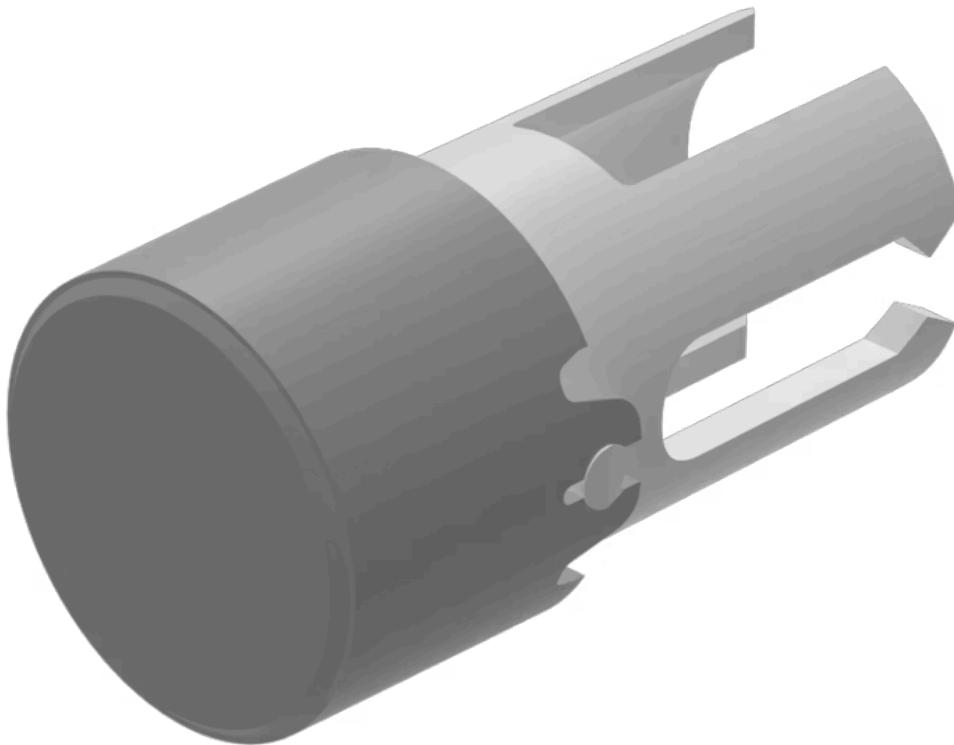


Lens

19-
931.8

Distribution by
Mouser



Your product:



19-931.8 Lens

Loading ...

FRONT

Front form: Round

OPERATING-/INDICATION PART

Lens colour: Grey

Lens material: Plastic

Lens illumination: Non illuminated

Lens shape: Flush

Lens optics: opaque

MECHANICAL CHARACTERISTICS

Weight: 0.001 kg

CERTIFICATE

REACH: REACH compliant

RoHS: RoHS compliant

OTHER

Short Description: Lens, Ø 7.3 mm, Non illuminated, Grey, Flush, Plastic

Dimension: Ø 7.3 mm