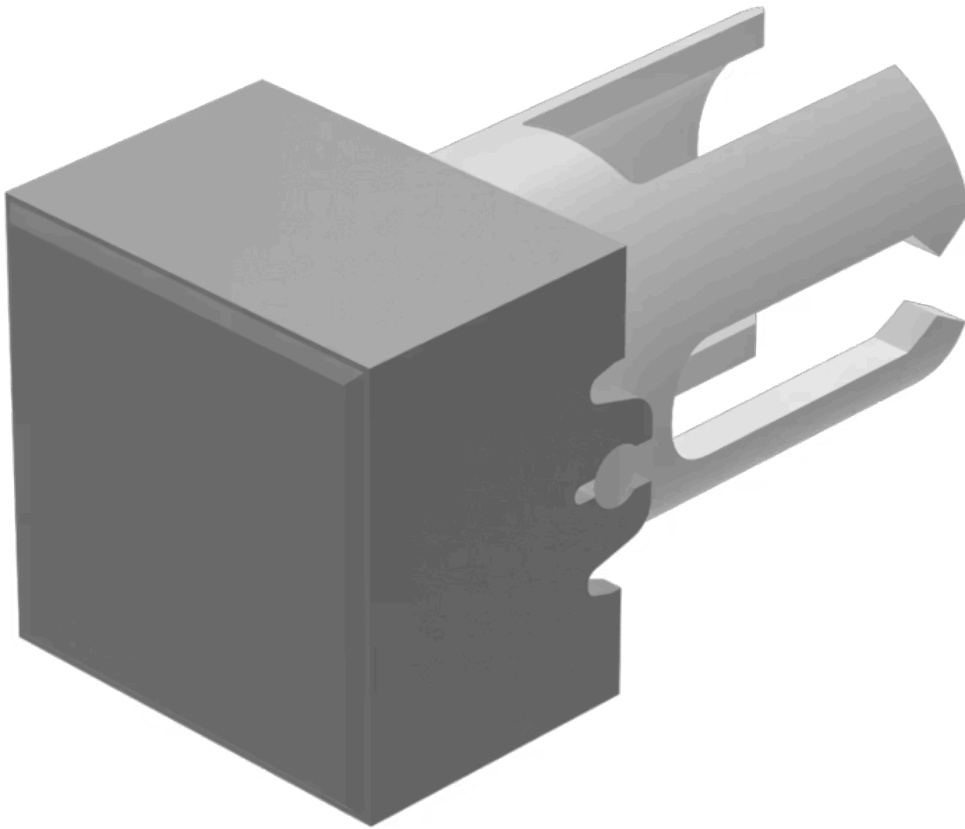


# Lens

19-  
951.8

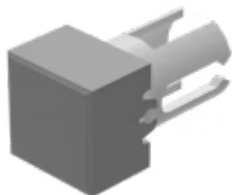
Distribution by  
Mouser



<https://mouser.eao.com/component/19-951.8/en/...>

Your product:

---



## 19-951.8 Lens

*Loading ...*

### FRONT

**Front form:** Square

### OPERATING-/INDICATION PART

**Lens colour:** Grey

**Lens material:** Plastic

**Lens illumination:** Non illuminated

**Lens shape:** Flush

**Lens optics:** opaque

### MECHANICAL CHARACTERISTICS

**Weight:** 0.001 kg

### CERTIFICATE

**REACH:** REACH compliant

**RoHS:** RoHS compliant

### OTHER

**Short Description:** Lens, 7.3 mm x 7.3 mm, Non illuminated, Grey, Flush, Plastic

**Dimension:** 7.3 mm x 7.3 mm

**Product attributes:** For film insert