

# Actuator

22-  
225.011

Distribution by  
Mouser



Your product:

---



## 22-225.011 Actuator

*Loading ...*

### FRONT

|                              |               |
|------------------------------|---------------|
| <b>Front dimension:</b>      | 36 mm x 24 mm |
| <b>Front form:</b>           | Rectangular   |
| <b>Front bezel colour:</b>   | Black         |
| <b>Front bezel material:</b> | Plastic       |

### MOUNTING

|                          |                |
|--------------------------|----------------|
| <b>Design:</b>           | Flush          |
| <b>Mounting cut-out:</b> | 22 mm x 30 mm  |
| <b>Mounting type:</b>    | Panel mounting |

### OPERATING-/INDICATION PART

|                           |                      |
|---------------------------|----------------------|
| <b>Lens illumination:</b> | Optional illuminated |
|---------------------------|----------------------|

### ELECTRICAL CHARACTERISTICS

|                                                 |                                                                                                                                                                                                                                                                                                       |
|-------------------------------------------------|-------------------------------------------------------------------------------------------------------------------------------------------------------------------------------------------------------------------------------------------------------------------------------------------------------|
| <b>Switching voltage and switching current:</b> | 400 VAC, 10 A (ohmic)<br>400 VAC, 4 A (inductive, $\cos(\phi) = 0.7$ )<br>250 VAC, 5 A (inductive, $\cos(\phi) = 0.7$ )<br>125 VAC, 8 A (inductive, $\cos(\phi) = 0.7$ )<br>110 VDC, 0.4 A (inductive, L:R = 30 ms)<br>60 VDC, 1.5 A (inductive, L:R = 30 ms)<br>24 VDC, 6 A (inductive, L:R = 30 ms) |
| <b>Contacts:</b>                                | 1 NC / 1 NO                                                                                                                                                                                                                                                                                           |
| <b>Switching rating:</b>                        | 400 V @ 10 A                                                                                                                                                                                                                                                                                          |
| <b>Electrical lifetime:</b>                     | 50 000 cycles of operation                                                                                                                                                                                                                                                                            |
| <b>Electric strength:</b>                       | 2000 VAC, 50 Hz, 1 minute, as per IEC 60512-2-11 between all terminals and earth                                                                                                                                                                                                                      |

### MECHANICAL CHARACTERISTICS

|                             |                                                                                                                                                                       |
|-----------------------------|-----------------------------------------------------------------------------------------------------------------------------------------------------------------------|
| <b>Terminal:</b>            | Screw terminal                                                                                                                                                        |
| <b>Contact material:</b>    | Silver                                                                                                                                                                |
| <b>Switching action:</b>    | Maintained                                                                                                                                                            |
| <b>Switching system:</b>    | Snap-action switching element                                                                                                                                         |
| <b>Switching system:</b>    | Self-cleaning, double-break snap action switching system (contact opening width 2 mm x 1.5 mm).<br>Max. 2 normally closed or 2 normally open contacts, or one of each |
| <b>Mechanical lifetime:</b> | 1 Mil. cycles of operation                                                                                                                                            |
| <b>Operating force:</b>     | 4.4 N $\pm$ 1 N (1 switching element), 7.8 N $\pm$ 1 N (2 switching element)                                                                                          |
| <b>Operating Travel:</b>    | 5.5 mm $\pm$ 0.5 mm                                                                                                                                                   |
| <b>Travel:</b>              | > 3 mm                                                                                                                                                                |
| <b>Terminal details 1:</b>  | Max. wire cross-section 2 mm x 2.5 mm <sup>2</sup><br>Max. wire cross-section of stranded cable 2 x 1.5 mm <sup>2</sup>                                               |
| <b>Weight:</b>              | 0.05 kg                                                                                                                                                               |

### AMBIENT CONDITION

|                               |                                                                                        |
|-------------------------------|----------------------------------------------------------------------------------------|
| <b>IP Protection:</b>         | IP20 rear side, IP65 front side, according to IEC 60529                                |
| <b>Operating temperature:</b> | - 25 °C ... + 55 °C                                                                    |
| <b>Storage temperature:</b>   | - 40 °C ... + 95 °C                                                                    |
| <b>Shock resistance:</b>      | 50 g for 11 ms, according to IEC 60512-4-3                                             |
| <b>Vibration resistance:</b>  | 10 g at 10 Hz...2000 Hz, amplitude 0.75 mm (Sinusoidal), according to DIN EN 60512-4-4 |

### CERTIFICATE

**Approbations:** CB (IEC 61058-1), CSA, EAC, ENEC (EN 61058-1), UL  
**Conformities:** CE, UKCA, 2011 / 65 / EC (RoHS), 2014 / 35 / EU (LVD)  
**REACH:** REACH compliant  
**RoHS:** RoHS compliant

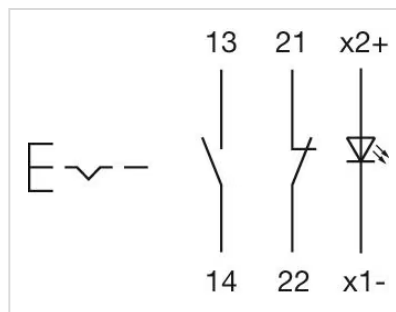
**OTHER**

**Short Description:** Actuator, 22 mm x 30 mm, 36 mm x 24 mm, Optional illuminated, Rectangular, Black, Plastic, 1 NC / 1 NO, Maintained, Screw terminal

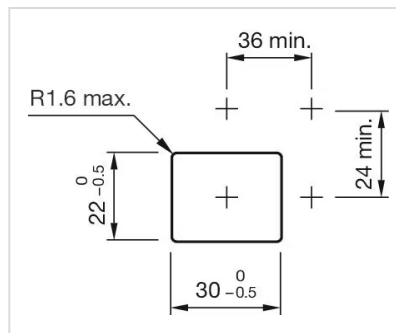
**Housing colour:** Black

**Housing material:** Plastic

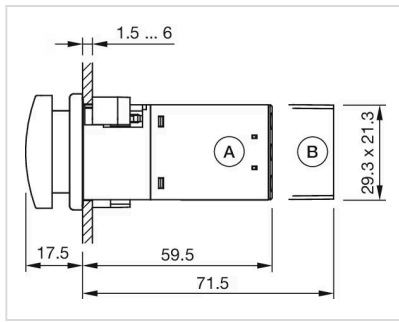
**Wiring diagrams:**



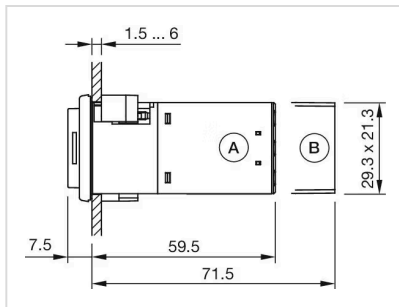
**Mounting cut-outs:**



**Dimension drawings:**



A = Screw terminal  
 B = Plug-in terminal 6.3 mm x 0.8 mm



A = Screw terminal  
 B = Plug-in terminal 6.3 mm x 0.8 mm