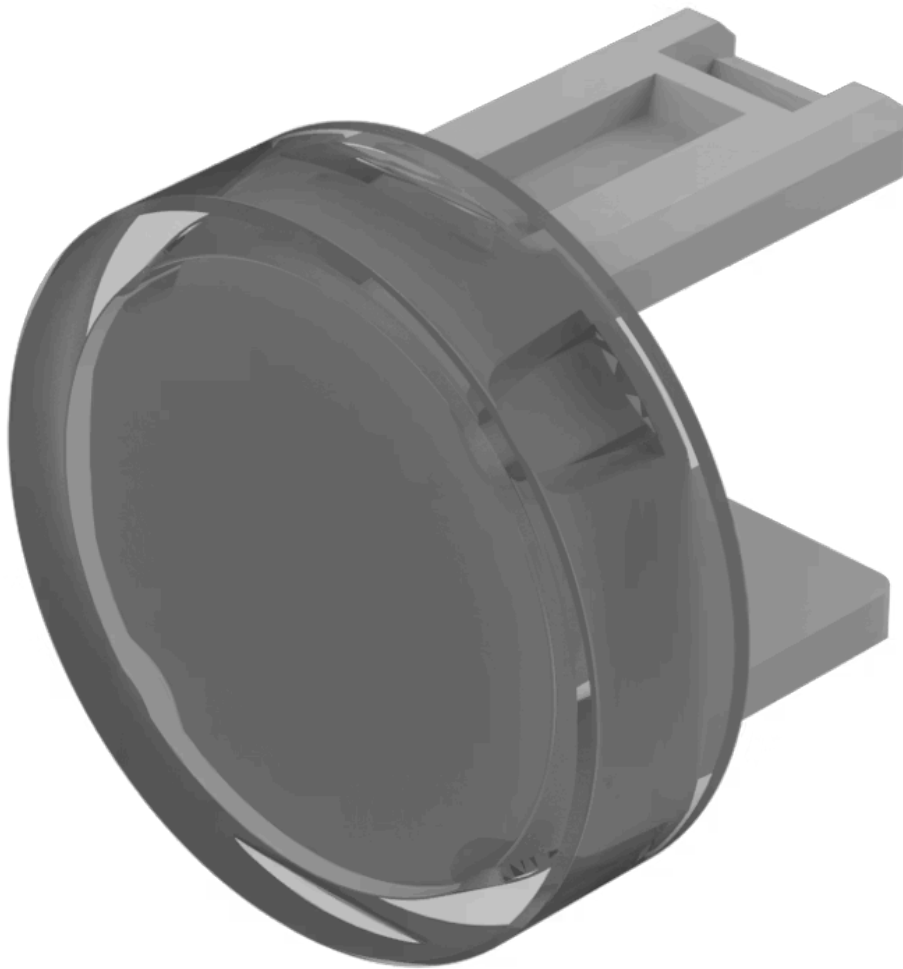


# Lens

31-  
931.9

Distribution by  
Mouser



<https://mouser.eao.com/component/31-931.9/en/...>

Your product:

---



## 31-931.9 Lens

*Loading ...*

### PRODUCT RANGE

**Product Status:** Not Recommended for new design

### FRONT

**Front form:** Round

### OPERATING-/INDICATION PART

**Lens colour:** White

**Lens material:** Plastic

**Lens illumination:** Illuminated

**Lens shape:** Flush

**Lens optics:** translucent

### MECHANICAL CHARACTERISTICS

**Weight:** 0.001 kg

### CERTIFICATE

**REACH:** REACH compliant

**RoHS:** RoHS compliant

### OTHER

**Short Description:** Lens, Ø 15.8 mm, Illuminated, White, Flush, Plastic

**Dimension:** Ø 15.8 mm

**Product attributes:**

Not recommended for film insert