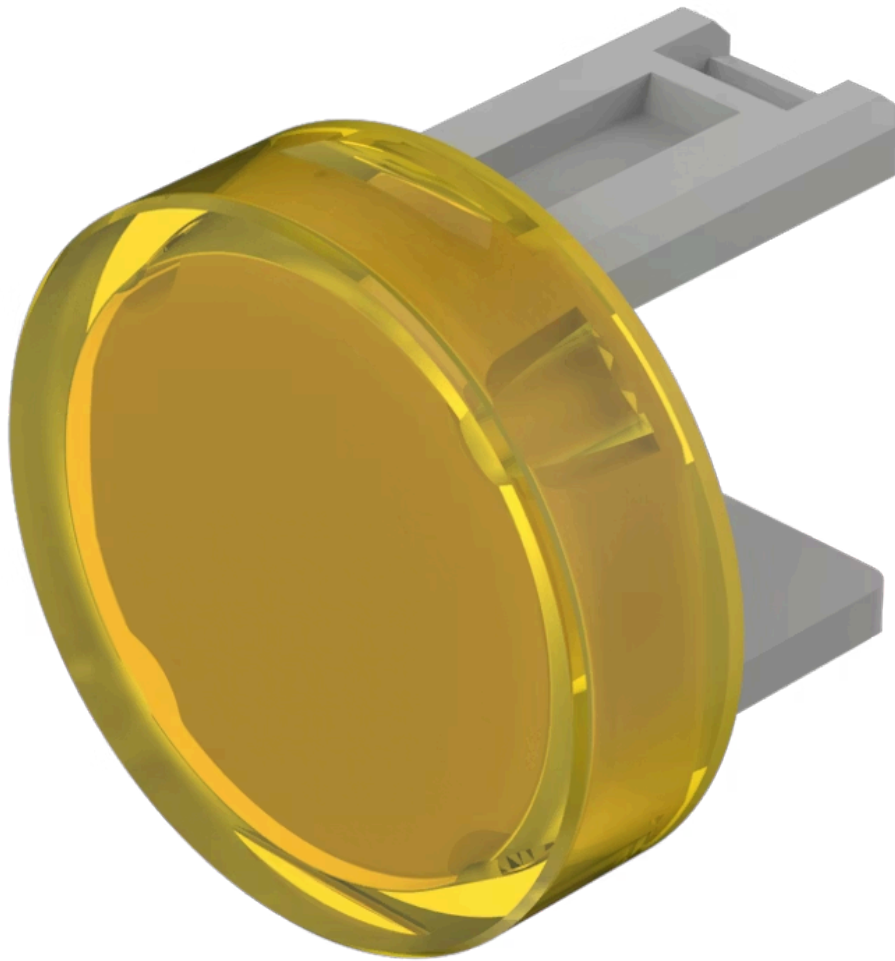


# Lens

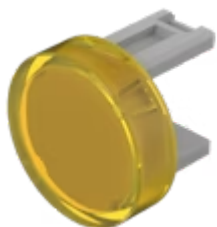
31-  
933.4

Distribution by  
Mouser



Your product:

---



## 31-933.4 Lens

*Loading ...*

### PRODUCT RANGE

**Product Status:** Not Recommended for new design

### FRONT

**Front form:** Round

### OPERATING-/INDICATION PART

**Lens colour:** Yellow

**Lens material:** Plastic

**Lens illumination:** Illuminated

**Lens shape:** Flush

**Lens optics:** transparent

### MECHANICAL CHARACTERISTICS

**Weight:** 0.001 kg

### CERTIFICATE

**REACH:** REACH compliant

**RoHS:** RoHS compliant

### OTHER

**Short Description:**

Lens, Ø 15.8 mm, Illuminated, Yellow, Flush, Plastic

**Dimension:**

Ø 15.8 mm