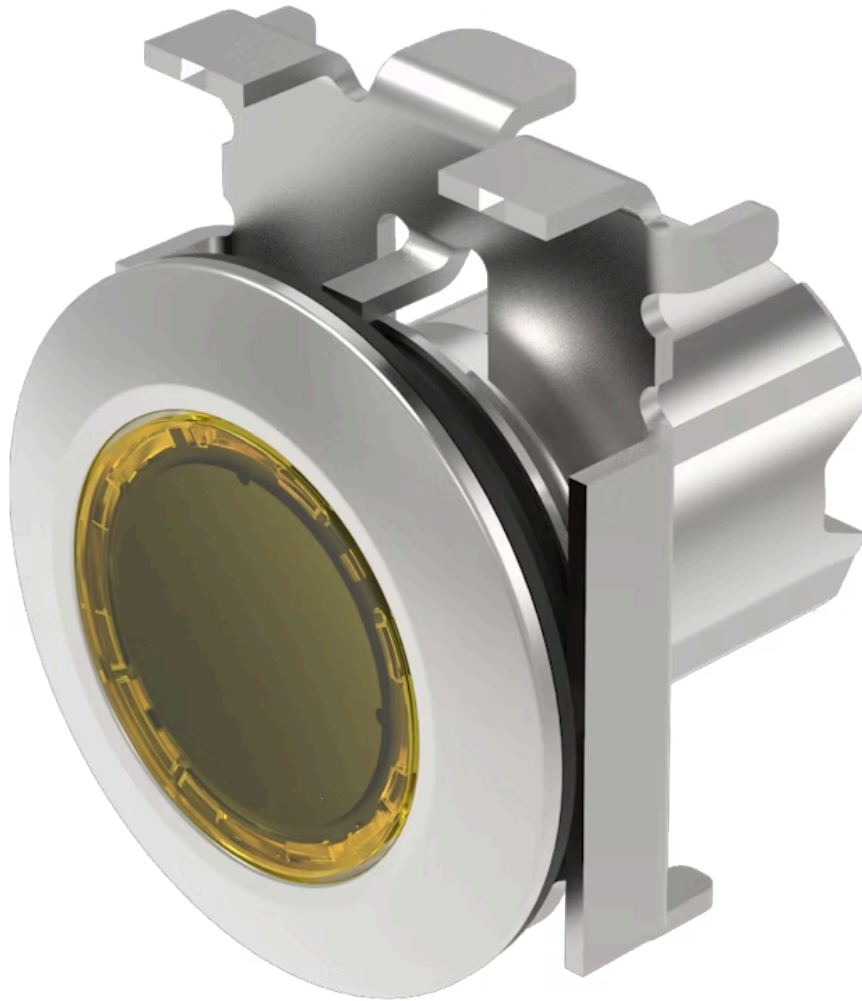


Actuator

45-
2231.4FG0.000

Distribution by
Mouser



<https://mouser.eao.com/component/45-2231.4FG0...>

Your product:



45-2231.4FG0.000 Actuator

Loading . . .

FRONT

Front dimension:	Ø 38 mm
Front form:	Round
Front bezel colour:	Sand grey
Front bezel material:	Metal

MOUNTING

Design:	Flush
Mounting cut-out:	Ø 30.5 mm
Mounting type:	Panel mounting

OPERATING-/INDICATION PART

Lens colour:	Yellow
Lens material:	Plastic
Lens illumination:	Illuminated
Lens shape:	Flush
Lens optics:	transparent
Illumination colour:	Yellow

MECHANICAL CHARACTERISTICS

Switching action:	Momentary
Switching system:	Slow-make switching element
Mechanical lifetime:	3 Mil. cycles of operation

Operating frequency: Max. 3 600/h

Weight: 0.073 kg

AMBIENT CONDITION

IP front protection: IP66, IP67, IP69K

Operating temperature: - 25 °C ... + 70 °C

Storage temperature: - 40 °C ... + 80 °C

Shock resistance: According to IEC 60068-2-27: Sinusoidal half-wave 50 g / 11 ms

Vibration resistance: According to IEC 60068-2-6: 20 ... 500 Hz: 5 g

Climate resistance: During operation according to IEC 60721: 3K6, 3C3, 3S2, 3M6

CERTIFICATE

REACH: REACH compliant

RoHS: RoHS compliant

OTHER

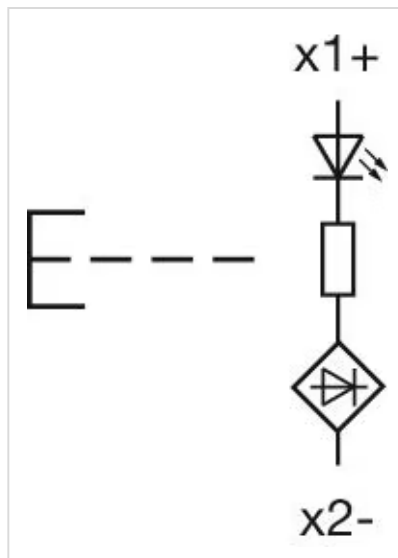
Short Description: Actuator, Ø 30.5 mm, Ø 38 mm, Flush, Illuminated, Yellow, Plastic, transparent, Round, Sand grey, Metal, Momentary, IP66, IP67, IP69K, Yellow

Housing colour: Silver

Housing material: Metal

Hints: Front panel thickness 1 ... 6 mm

Wiring diagrams:



Dimension drawings:

