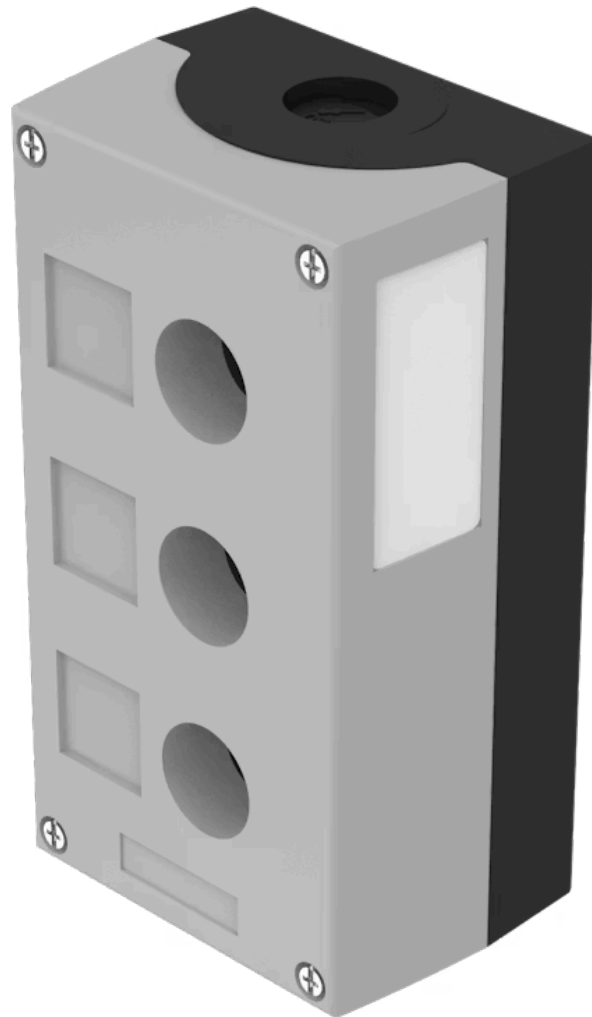


Enclosure

45-450.1801

Distribution by
Mouser



<https://mouser.eao.com/component/45-450.1801/...>

Your product:



45-450.1801 Enclosure

Loading ...

FRONT

Colour: Grey

ELECTRICAL CHARACTERISTICS

Forward voltage:

MECHANICAL CHARACTERISTICS

Weight: 0.364 kg

AMBIENT CONDITION

IP Protection: IP66, IP67, IP69K

OTHER

Short Description: Enclosure, 154 mm x 85 mm x 64 mm, Plastic, Grey

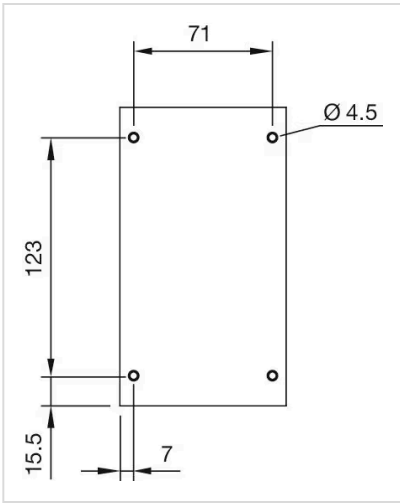
Titel Accessory: Enclosure

Dimension: 154 mm x 85 mm x 64 mm

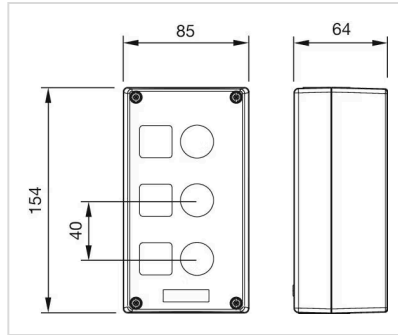
Material: Plastic

Product attributes: 3 mounting holes \varnothing 22.3 mm, top and bottom 1 x M20

Mounting cut-outs:



Dimension drawings:



for Part No. 45-450.1801