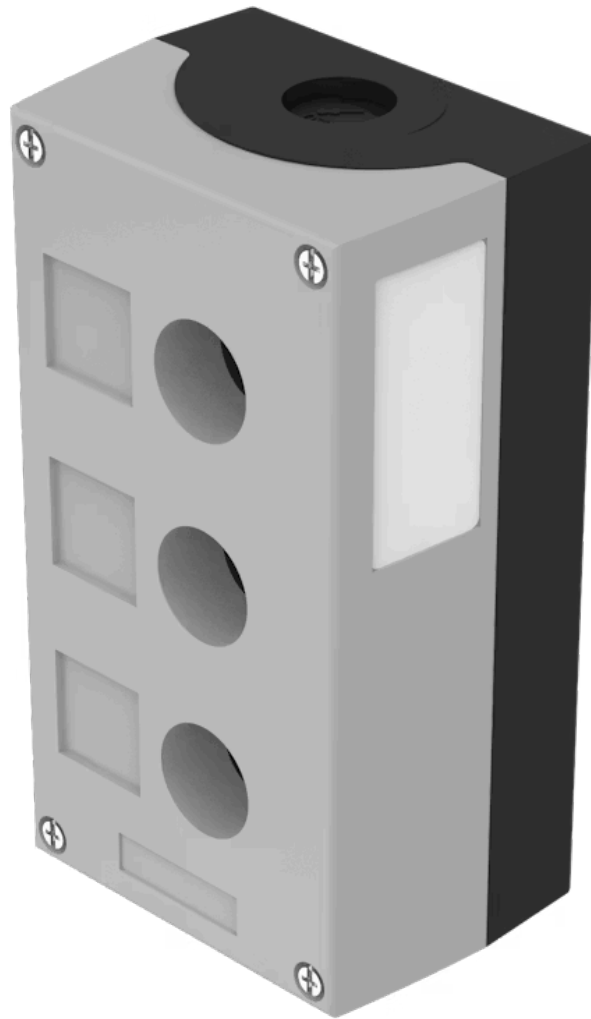


# Enclosure

45-450.2803

Distribution by  
Mouser



<https://mouser.eao.com/component/45-450.2803/...>

Your product:

---



## 45-450.2803 Enclosure

*Loading ...*

### FRONT

**Colour:** Grey

### ELECTRICAL CHARACTERISTICS

**Forward voltage:**

### MECHANICAL CHARACTERISTICS

**Weight:** 0.683 kg

### AMBIENT CONDITION

**IP Protection:** IP66, IP67, IP69K

### OTHER

**Short Description:** Enclosure, 158 mm x 85 mm x 64 mm, Metal, Grey

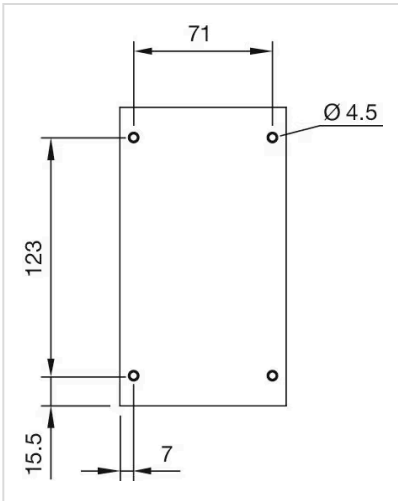
**Titel Accessory:** Enclosure

**Dimension:** 158 mm x 85 mm x 64 mm

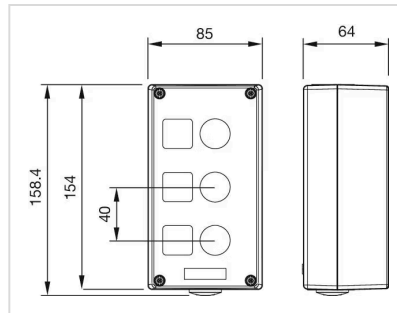
**Material:** Metal

**Product attributes:** 3 mounting holes  $\varnothing$  22.3 mm, top and bottom 1 x M20

**Mounting cut-outs:**



**Dimension drawings:**



for Part No. 45-450.2803