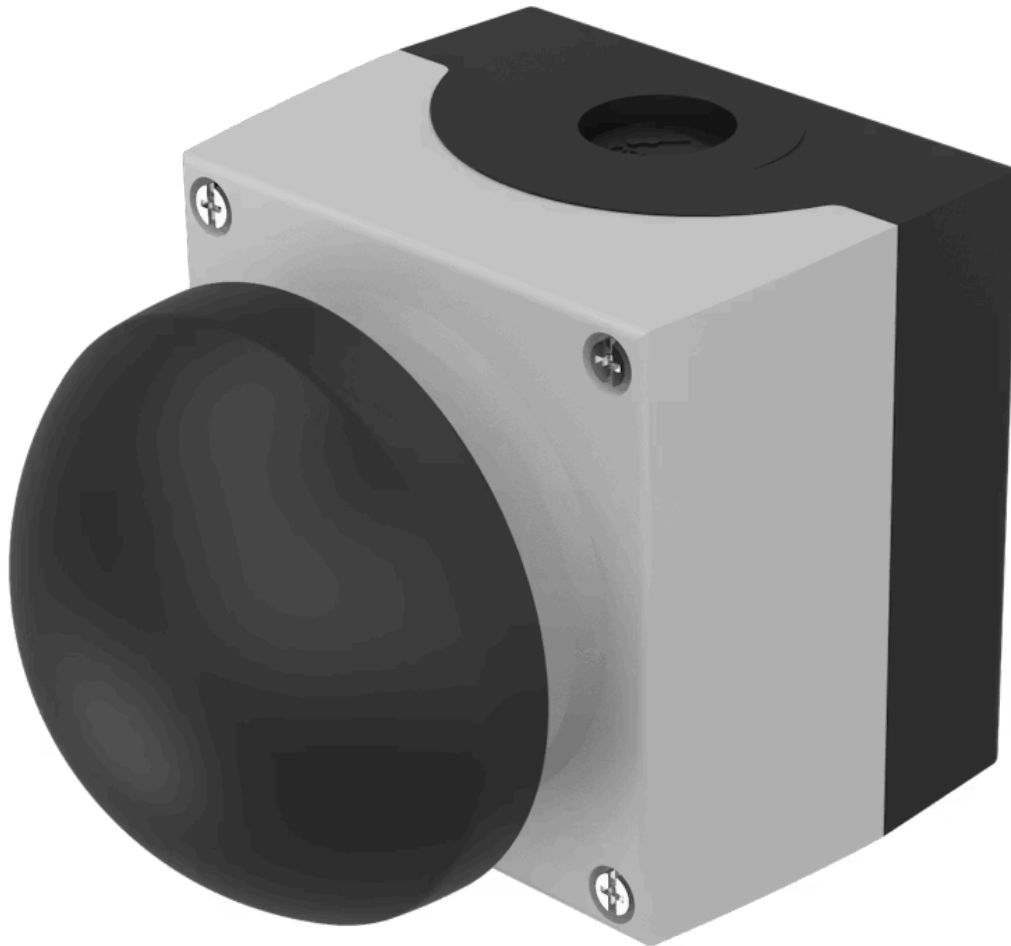


Actuator

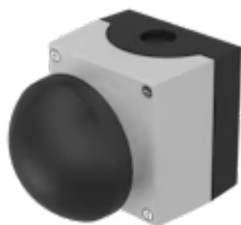
45-
481.2810

Distribution by
Mouser



<https://mouser.eao.com/component/45-481.2810/...>

Your product:



45-481.2810 Actuator

Loading . .

FRONT

Front dimension: 85 mm x 85 mm

Front form: Square

MOUNTING

Design: Raised

Mounting cut-out: Ø 22.3 mm

Component mounting type: Base mounting

Mounting type: Panel mounting

OPERATING-/INDICATION PART

Lens colour: Black

Lens material: Plastic

Lens illumination: Non illuminated

Lens optics: opaque

ELECTRICAL CHARACTERISTICS

Rated Operational Voltage U_e: At AC: rated value 5 ... 500 V
At DC: rated value 5 ... 500 V

MECHANICAL CHARACTERISTICS

Switching action: Momentary

Switching system: Slow-make switching element

Release type: Pull unlock

Weight: 0.642 kg

AMBIENT CONDITION

IP front protection: IP66, IP67, IP69K

Storage temperature: - 40 °C ... + 80 °C

Shock resistance: According to IEC 60068-2-27: Sinusoidal half-wave 50 g / 11 ms

Vibration resistance: According to IEC 60068-2-6: 10 ... 500 Hz: 5 g

Climate resistance: During operation according to IEC 60721: 3K6, 3C3, 3S2, 3M6, 3B2

CERTIFICATE

REACH: REACH compliant

RoHS: RoHS compliant

OTHER

Short Description: Actuator, Ø 22.3 mm, 85 mm x 85 mm, Non illuminated, Black, Plastic, opaque, Square, Momentary, IP66, IP67, IP69K, Pull unlock

Housing colour: Grey

Housing material: Metal

Dimension drawings:

