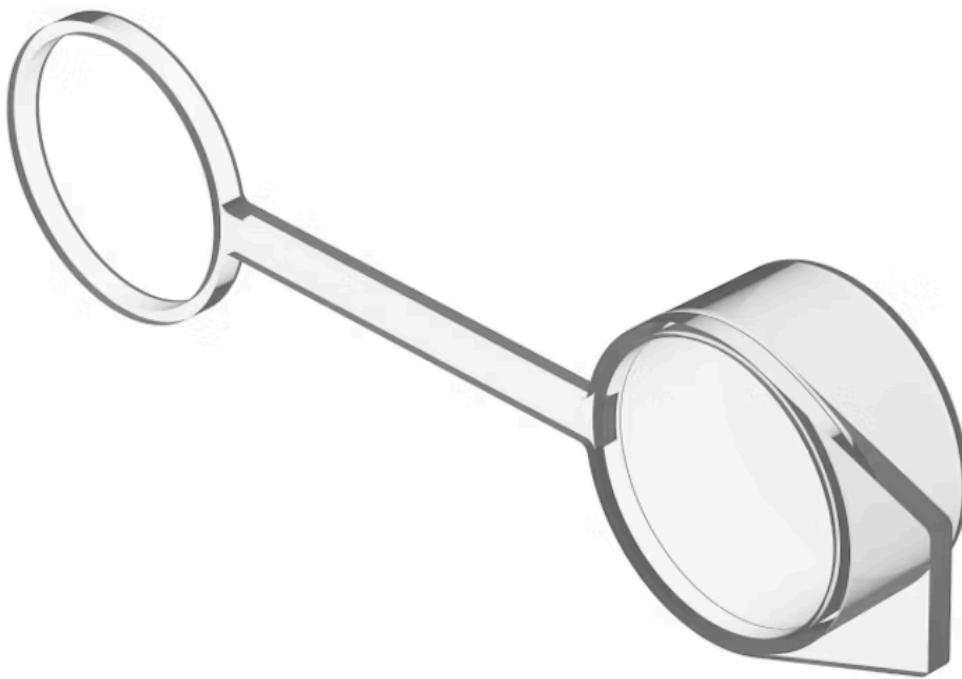


# Protection cover

45-50F.1100

Distribution by  
Mouser



<https://mouser.eao.com/component/45-50F.1100/...>

Your product:



## 45-50F.1100 Protection cover

*Loading ...*

### FRONT

**Colour:** Colourless

### ELECTRICAL CHARACTERISTICS

**Forward voltage:**

### MECHANICAL CHARACTERISTICS

**Weight:** 0.006 kg

### OTHER

**Short Description:** Protection cover, Silicone, transparent, Colourless

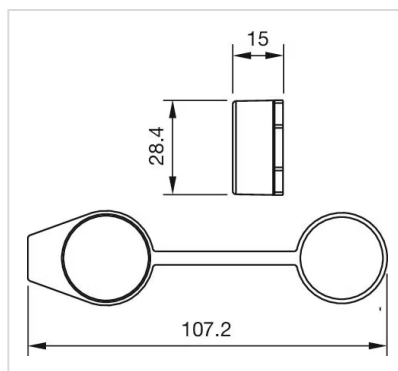
**Titel Accessory:** Protection cover

**Material:** Silicone

**Product attributes:** For keylock switch

**Optics:** transparent

**Dimension drawings:**



for Part No. 45-50F.1100