

# Connecting piece for enclosures

45-50F.2900

Distribution by  
Mouser



<https://mouser.eao.com/component/45-50F.2900/...>

Your product:

---



## 45-50F.2900

### Connecting piece for enclosures

*Loading ...*

#### FRONT

**Colour:** Black

#### ELECTRICAL CHARACTERISTICS

**Forward voltage:**

#### MECHANICAL CHARACTERISTICS

**Weight:** 0.001 kg

#### AMBIENT CONDITION

**IP Protection:** IP66, IP67, IP69K

#### OTHER

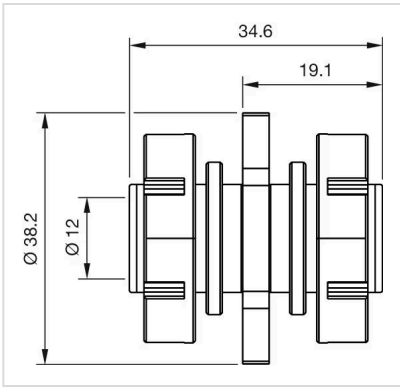
**Short Description:** Connecting piece for enclosures, Plastic, Black

**Titel Accessory:** Connecting piece for enclosures

**Material:** Plastic

**Product attributes:** For connecting 2 enclosures, with hexagonal nut

**Dimension drawings:**



for Part No. 45-50F.2900