

Protective shroud

45-50Q.2100

Distribution by
Mouser



<https://mouser.eao.com/component/45-50Q.2100/...>

Your product:



45-50Q.2100 Protective shroud

FRONT

Colour: Silver

MECHANICAL CHARACTERISTICS

Weight: 0.02 kg

OTHER

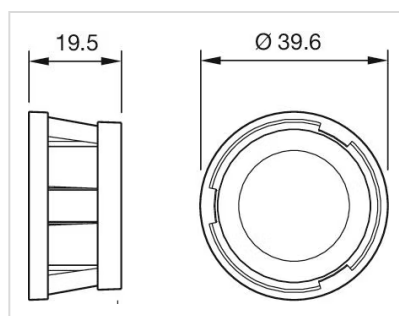
Short Description: Protective shroud, Ø 46.4 mm, Metal, Silver

Titel Accessory: Protective shroud

Dimension: Ø 46.4 mm

Material: Metal

Dimension drawings:



for Part No. 45-50Q.2100