

Protection cover

45-544.1K00

Distribution by
Mouser



<https://mouser.eao.com/component/45-544.1K00/...>

Your product:



45-544.1K00 Protection cover

Loading ...

FRONT

Colour: Colourless

ELECTRICAL CHARACTERISTICS

Forward voltage:

MECHANICAL CHARACTERISTICS

Weight: 0.008 kg

OTHER

Short Description: Protection cover, Silicone, transparent, Colourless

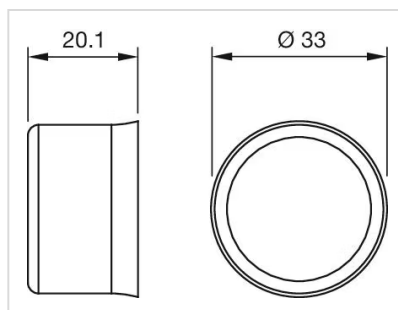
Titel Accessory: Protection cover

Material: Silicone

Product attributes: For lens raised above bezel

Optics: transparent

Dimension drawings:



for Part No. 45-544.1K00