

Legend frame

45-567.1111

Distribution by
Mouser



<https://mouser.eao.com/component/45-567.1111/...>

Your product:



45-567.1111 Legend frame

Loading ...

FRONT

Colour: Black

MOUNTING

Mounting type: For sticking or snapping in place

ELECTRICAL CHARACTERISTICS

Forward voltage:

MECHANICAL CHARACTERISTICS

Weight: 0.002 kg

OTHER

Short Description: Legend frame, 17.5 mm, Plastic, For sticking or snapping in place, Black

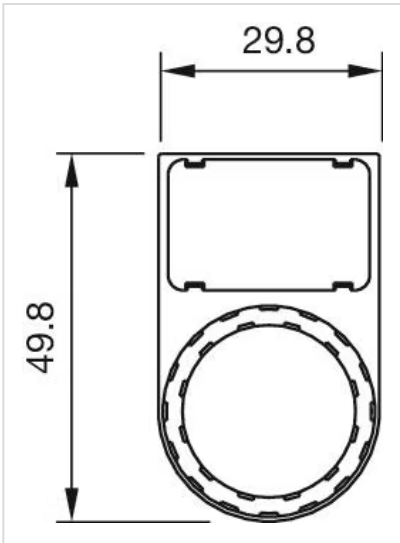
Titel Accessory: Legend frame

Dimension: 17.5 mm

Material: Plastic

Product attributes: For legend 27 mm x 17.5 mm

Dimension drawings:



for Part No. 45-567.1111