

Actuator

51-
495.025D2

Distribution by
Mouser



<https://mouser.eao.com/component/51-495.025D2...>

Your product:



51-495.025D2 Actuator

FRONT

Front dimension: 24 mm x 18 mm

Front form: Rectangular

MOUNTING

Design: Raised

Mounting type: Panel mounting

ELECTRICAL CHARACTERISTICS

Switching voltage and switching current:
250 VAC, 5 A (ohmic)
250 VAC, 3 A (Soldering terminal)
250 VAC, 2 A (inductive, $\cos(\phi) = 0.7$)
125 VAC, 3 A (inductive, $\cos(\phi) = 0.7$)
220 VDC, 0.1 A (inductive, L:R = 30 ms)
110 VDC, 0.2 A (inductive, L:R = 30 ms)
60 VDC, 0.7 A (inductive, L:R = 30 ms)
24 VDC, 2 A (inductive, L:R = 30 ms)

Contacts: 1 NC / 1 NO

Rated Operational Voltage U_e : 250 VAC/DC according to EN IEC 60947-1

Switching rating: 250 V @ 5 A

Electrical lifetime: 50 000 cycles of operation

Electric strength: 2500 VAC, 50 Hz, 1 min. between all terminals and earth, according to IEC 61058-1, part 15

Protection class: II

Standards: According to EN/IEC 61058-1

Thermal current I_{th} : 5 A, according to EN / IEC 60947-5-1
The maximum current in continuous operation and at ambient temperature not exceeding the quoted maximum values.

MECHANICAL CHARACTERISTICS

| | |
|-----------------------------|--|
| Terminal: | Soldering terminal |
| Contact material: | Gold |
| Switching action: | Rest (a) - Momentary |
| Switching system: | Snap-action switching element |
| Switching system: | Self-cleaning, double-break snap action switching system, 1 normally closed and 1 normally open contact per element. |
| Switching positions: | 2 positions |
| Switching angle: | 42° right |
| Mechanical lifetime: | 50 000 cycles of operation |
| Operating force: | 1,8 ... 6 N, depending on the number of switching elements |
| Tightening torque: | Fixing nut max. 0.5 Nm |
| Wire cross section: | Snap-action switching element with tinned soldering terminals at the sides Max. wire diameter 2 wires à 1.2 mm Max. wire cross-section of stranded cable 1 x 1 mm ² |
| Weight: | 0.019 kg |

AMBIENT CONDITION

| | |
|-------------------------------|--|
| IP front protection: | IP65, according to DIN EN 60529 |
| Operating temperature: | - 25 °C ... + 55 °C |
| Storage temperature: | - 40 °C ... + 85 °C |
| Shock resistance: | 15 g for 11 ms, as per DIN / EN 60512-4-3, DIN / EN 60068-2-27 (Single impacts, semi-sinusoidal) |
| Vibration resistance: | 10 g at 10 Hz...1500 Hz, amplitude 0.75 mm (Sinusoidal), according to DIN EN 60512-4-4, DIN EN 60068-2-6 |
| Climate resistance: | Standard condition, as per DIN EN 60068-2-30 Changing condition, as per DIN EN 60068-2-14 |

CERTIFICATE

| | |
|----------------------|---|
| Approbations: | CB (IEC 61058-1), CQC, CSA, DNV, ENEC (EN 61058-1), UL |
| Conformities: | CE, UKCA, 2011 / 65 / EC (RoHS), 2014 / 30 / EU (EMC), 2014 / 35 / EU (LVD) |
| REACH: | REACH compliant |
| RoHS: | RoHS compliant |

OTHER

Short Description:

Actuator, 24 mm x 18 mm, Rectangular, 1 NC / 1 NO, Rest (a) - Momentary, Soldering terminal, IP65, according to DIN EN 60529

Housing colour:

Black

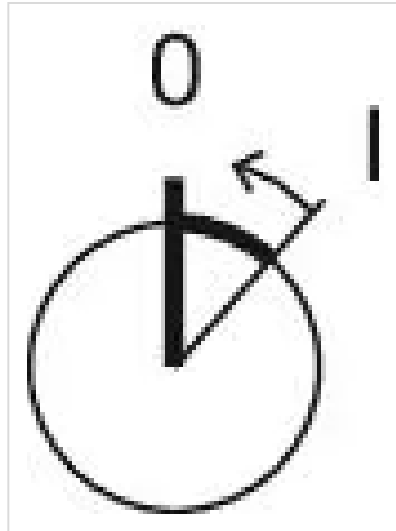
Hints:

Standard lock: DOM 311

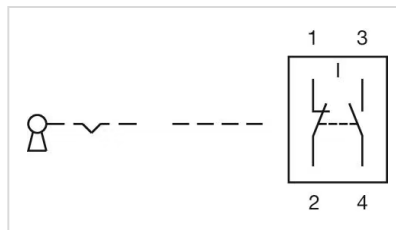
max. number of switching elements:

4

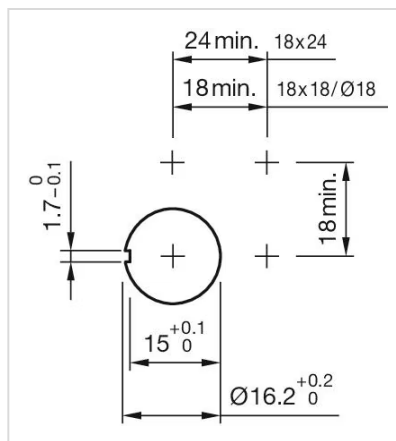
Switching positions:



Wiring diagrams:



Mounting cut-outs:



Dimension drawings:



- A = Solder terminal
- B = Plug-in terminal 2.8 mm x 0.5 mm
- C = Universal terminal 2.0 mm x 0.5 mm