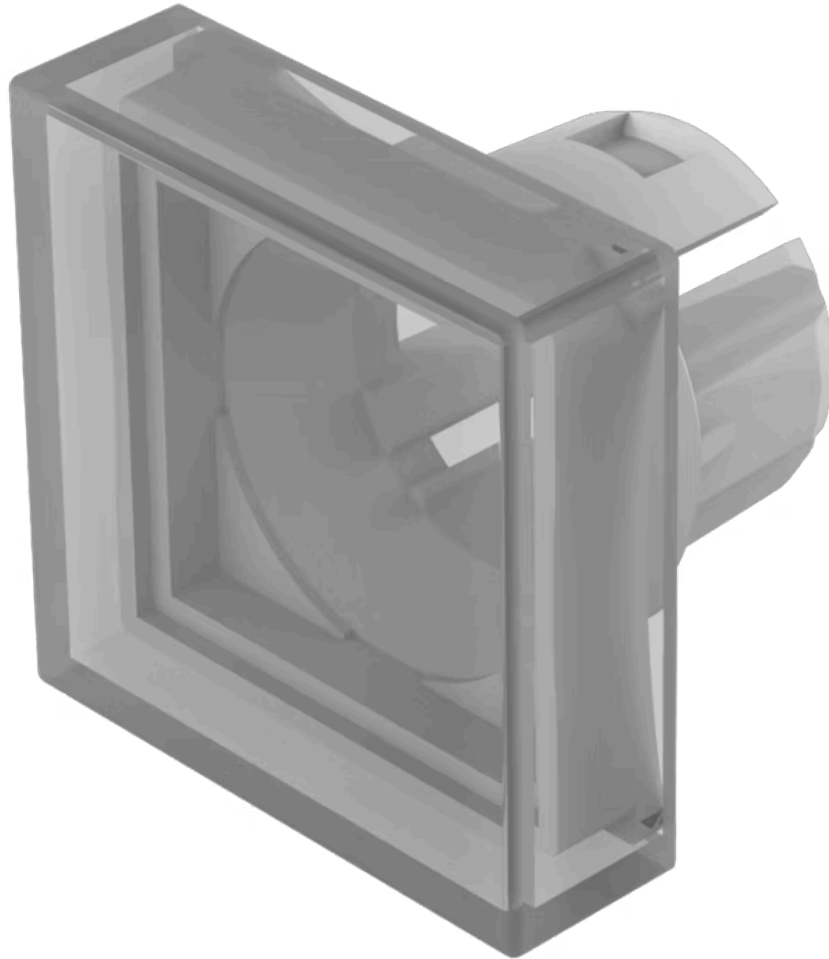


Lens

51-
951.9

Distribution by
Mouser



<https://mouser.eao.com/component/51-951.9/en/...>

Your product:



51-951.9 Lens

Loading ...

FRONT

Front form: Square

OPERATING-/INDICATION PART

Lens colour: White

Lens material: Plastic

Lens illumination: Illuminated

Lens shape: Flush

Lens optics: translucent

MECHANICAL CHARACTERISTICS

Weight: 0.001 kg

CERTIFICATE

REACH: REACH compliant

RoHS: RoHS compliant

OTHER

Short Description: Lens, 15.3 mm x 15.3 mm, Illuminated, White, Flush, Plastic

Dimension: 15.3 mm x 15.3 mm

Product attributes: Not recommended for film insert