

# Actuator

52-  
271.022

Distribution by  
Mouser



<https://mouser.eao.com/component/52-271.022/e...>

Your product:

---



## 52-271.022 Actuator

*Loading ...*

### MOUNTING

**Mounting type:** Panel mounting

### OPERATING-/INDICATION PART

**Lever material:** plastic

**Lever shape:** short

### ELECTRICAL CHARACTERISTICS

**Switching voltage and switching current:**  
250 VAC, 5 A (ohmic)  
250 VAC, 3 A (Soldering terminal)  
250 VAC, 2 A (inductive,  $\cos(\phi) = 0.7$ )  
125 VAC, 3 A (inductive,  $\cos(\phi) = 0.7$ )  
220 VDC, 0.1 A (inductive, L:R = 30 ms)  
110 VDC, 0.2 A (inductive, L:R = 30 ms)  
60 VDC, 0.7 A (inductive, L:R = 30 ms)  
24 VDC, 2 A (inductive, L:R = 30 ms)

**Contacts:** 1 NC / 1 NO

**Rated Operational Voltage  $U_e$ :** 250 VAC/DC according to EN IEC 60947-1

**Switching rating:** 250 V @ 5 A

**Electric strength:** 2500 VAC, 50 Hz, 1 min. between all terminals and earth, according to IEC 61058-1, part 15

**Protection class:** II

**Standards:** According to EN/IEC 61058-1

**Thermal current  $I_{th}$ :** 5 A, according to EN / IEC 60947-5-1  
The maximum current in continuous operation and at ambient temperature not exceeding the quoted maximum values.

### MECHANICAL CHARACTERISTICS

**Terminal:** Plug-in terminal, 2.8 x 0.5 mm

|                             |   |
|-----------------------------|---|
| <b>Contact material:</b>    | Gold  |
| <b>Switching action:</b>    | Rest - Maintained   |
| <b>Switching system:</b>    | Snap-action switching element   |
| <b>Switching system:</b>    | Self-cleaning, double-break snap action switching system, 1 normally closed and 1 normally open contact per element.  |
| <b>Switching positions:</b> | 2 positions   |
| <b>Switching angle:</b>     | 90° right   |
| <b>Mechanical lifetime:</b> | 1 Mil. cycles of operation  |
| <b>Operating force:</b>     | 1,8 ... 6 N, depending on the number of switching elements  |
| <b>Tightening torque:</b>   | Fixing nut max. 0.5 Nm  |
| <b>Wire cross section:</b>  | Snap-action switching element with axial soldering terminals, which can also be used as plug-in terminals 2.8 x 0.5mm<br>Max. wire diameter 2 wires of 1 mm<br>Max. wire cross-section of stranded cable 2 of 0.75 mm <sup>2</sup> or 1 x 1.0 mm <sup>2</sup> |
| <b>Weight:</b>              | 0.008 kg  |

#### **AMBIENT CONDITION**

|                               |  |
|-------------------------------|--|
| <b>IP front protection:</b>   | IP65, according to DIN EN 60529  |
| <b>Operating temperature:</b> | - 25 °C ... + 55 °C  |
| <b>Storage temperature:</b>   | - 40 °C ... + 85 °C  |
| <b>Shock resistance:</b>      | 15 g for 11 ms, as per DIN / EN 60512-4-3, DIN / EN 60068-2-27 (Single impacts, semi-sinusoidal)         |
| <b>Vibration resistance:</b>  | 10 g at 10 Hz...1500 Hz, amplitude 0.75 mm (Sinusoidal), according to DIN EN 60512-4-4, DIN EN 60068-2-6 |
| <b>Climate resistance:</b>    | Standard condition, as per DIN EN 60068-2-30<br>Changing condition, as per DIN EN 60068-2-14             |

#### **CERTIFICATE**

|                      |   |
|----------------------|---|
| <b>Approbations:</b> | CB (IEC 61058-1), CQC, CSA, DNV, ENEC (EN 61058-1), UL                      |
| <b>Conformities:</b> | CE, UKCA, 2011 / 65 / EC (RoHS), 2014 / 30 / EU (EMC), 2014 / 35 / EU (LVD) |
| <b>REACH:</b>        | REACH compliant   |
| <b>RoHS:</b>         | RoHS compliant  |

#### **OTHER**

|                           |   |
|---------------------------|---|
| <b>Short Description:</b> | Actuator, optional illuminative, short, 1 NC / 1 NO, Rest - Maintained, Plug-in terminal, 2.8 x 0.5 mm, IP65, according to DIN EN 60529 |
|---------------------------|---|

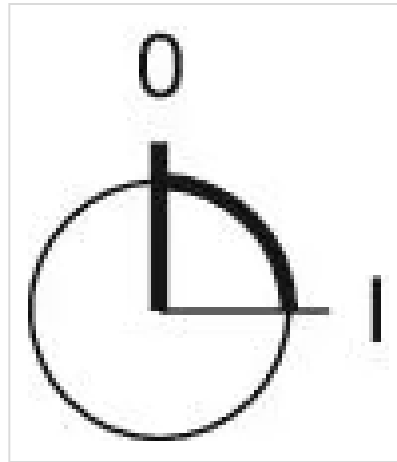
**Housing colour:**

Black

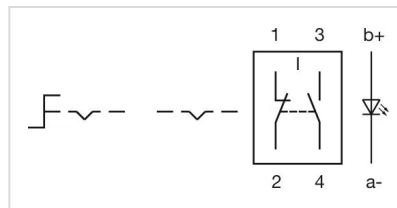
**Hints:**

Illuminative

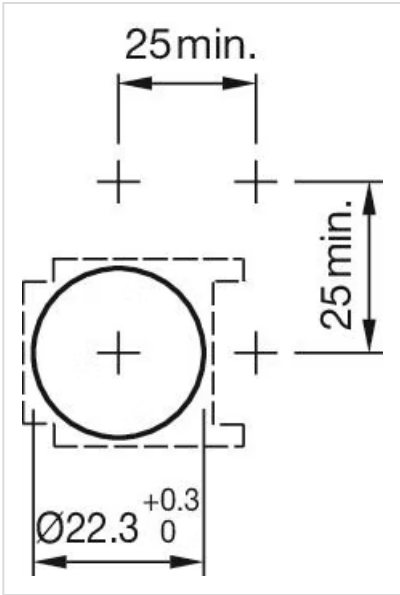
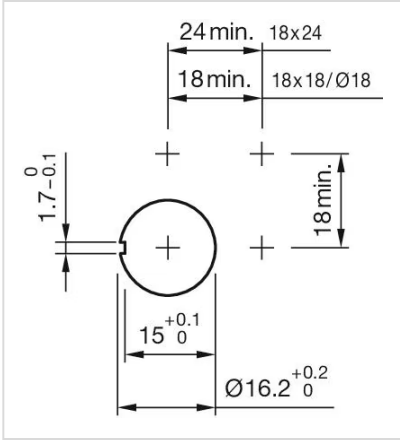
**Switching positions:**



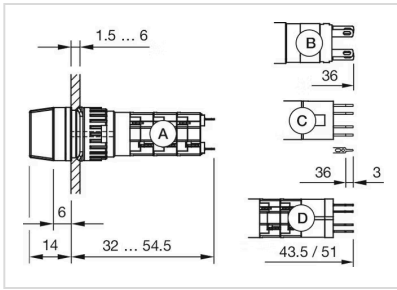
**Wiring diagrams:**



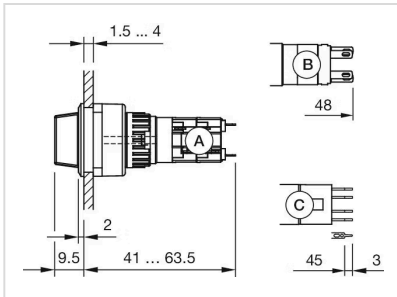
**Mounting cut-outs:**



Dimension drawings:



- A = Solder terminal
- B = Plug-in terminal 2.8 mm x 0.5 mm
- C = Universal terminal 2.0 mm x 0.5 mm
- D = Universal-Solder terminal



- A = Solder terminal
- B = Solder terminal 2.8 mm x 0.5 mm
- C = Universal terminal 2.0 mm x 0.5 mm