

Actuator

52-
573.F22A

Distribution by
Mouser



<https://mouser.eao.com/component/52-573.F22A/...>

Your product:



52-573.F22A Actuator

FRONT

Front dimension: Ø 18 mm

Front form: Round

MOUNTING

Design: Raised

Mounting type: Panel mounting

OPERATING-/INDICATION PART

Lever material: plastic

Lever shape: short

ELECTRICAL CHARACTERISTICS

Switching voltage and switching current: 250 VAC, 5 A ($\cos\phi$ 0.75)

Contacts: 2 NC / 2 NO

Switching rating: 250 V @ 5 A

Electric strength: 2500 VAC, 50 Hz, 1 min. between all terminals and earth, according to IEC 61058-1, part 15

Protection class: II

Thermal current I_{th}: 5 A, according to EN / IEC 60947-5-1

MECHANICAL CHARACTERISTICS

Terminal: Plug-in terminal, 2.8 x 0.5 mm

Contact material:

Gold

Switching action:	Momentary - Rest - Maintained
Switching system:	Snap-action switching element
Switching system:	Self-cleaning, double-break snap action switching system, 2 normally closed and 2 normally open contact per element.
Switching positions:	3 positions
Switching angle:	42° left / 90° right
Mechanical lifetime:	100 000 cycles of operation
Tightening torque:	Fixing nut max. 0.5 Nm
Wire cross section:	Max. wire cross-section 2 wires with 1 mm Max. wire cross-section of stranded cable 2 x 0.75 mm ²
Weight:	0.011 kg

AMBIENT CONDITION

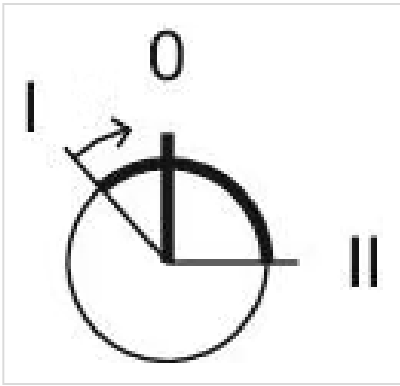
IP front protection:	IP65, according to DIN EN 60529
Operating temperature:	- 25 °C ... + 55 °C
Storage temperature:	- 40 °C ... + 85 °C

CERTIFICATE

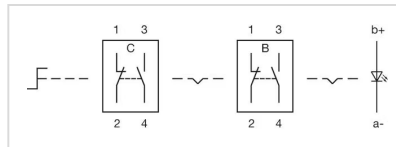
Approbations:	CB (IEC 61058-1), CQC, CSA, DNV, ENEC (EN 61058-1), UL
Conformities:	CE, UKCA, 2011 / 65 / EC (RoHS), 2014 / 30 / EU (EMC), 2014 / 35 / EU (LVD)
REACH:	REACH compliant
RoHS:	RoHS compliant

OTHER

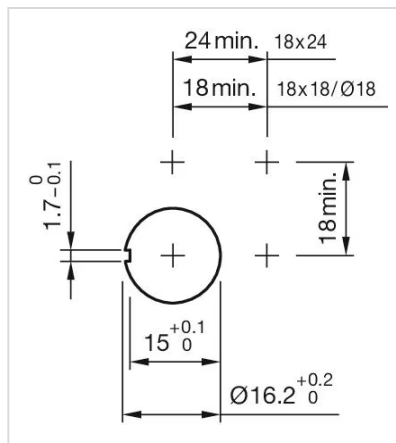
Short Description:	Actuator, Ø 18 mm, optional illuminative, short, Round, 2 NC / 2 NO, Momentary - Rest - Maintained, Plug-in terminal, 2.8 x 0.5 mm, IP65, according to DIN EN 60529
Hints:	Illuminative
Switching positions:	



Wiring diagrams:



Mounting cut-outs:



Dimension drawings:

