

Actuator

61-
0000.02

Distribution by
Mouser



<https://mouser.eao.com/component/61-0000.02/e...>

Your product:



61-0000.02 Actuator

Loading ...

MOUNTING

Mounting type: Panel mounting

MECHANICAL CHARACTERISTICS

Terminal: Plug-in terminal, 2.8 x 0.5 mm

Tightening torque: Max. 0.5 Nm

Weight: 0.006 kg

AMBIENT CONDITION

IP Protection: IP40 rear side, according to EN IEC 60529, IP67 front side, according to EN IEC 60529

Operating temperature: - 25 °C ... + 55 °C

Storage temperature: - 40 °C ... + 85 °C

CERTIFICATE

REACH: REACH compliant

RoHS: RoHS compliant

OTHER

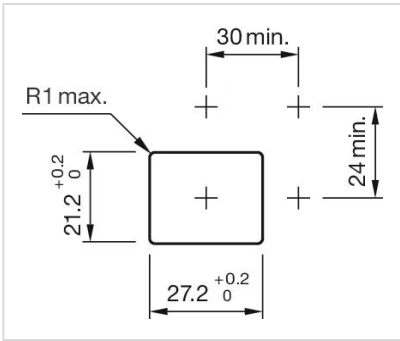
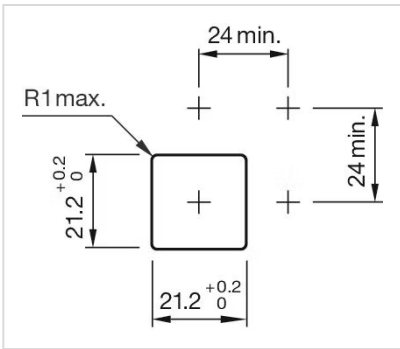
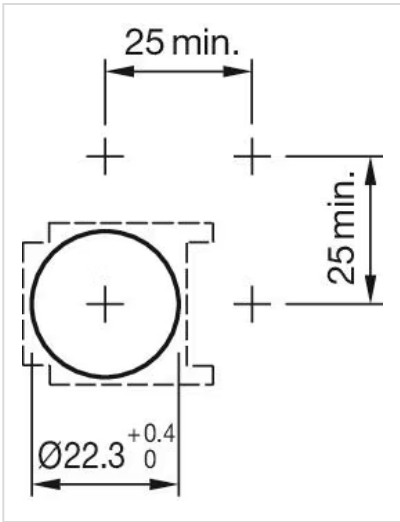
Short Description: Actuator, Plug-in terminal, 2.8 x 0.5 mm

Housing material: Plastic, according to UL 94 V0, self-extinguishing

Wiring diagrams:



Mounting cut-outs:



Dimension drawings:

