

# Actuator

61-1240.0

Distribution by  
Mouser



<https://mouser.eao.com/component/61-1240.0/en...>

Your product:

---



## 61-1240.0 Actuator

*Loading ...*

### FRONT

<b>Front bezel colour:</b>	Black
<b>Front bezel material:</b>	Plastic

### MOUNTING

<b>Mounting type:</b>	Panel mounting
-----------------------	----------------

### OPERATING-/INDICATION PART

<b>Lens illumination:</b>	Illuminated
---------------------------	-------------

### MECHANICAL CHARACTERISTICS

<b>Switching action:</b>	Maintained
<b>Mechanical lifetime:</b>	According to DIN/IEC 60512-5-6 and EN/IEC 60947-5-1, 1 Mil. cycles of operation
<b>Operating force:</b>	3 N ... 5 N snap-action switching element, 3.5 ... 11 N slow-make switching element
<b>Operating Travel:</b>	3 mm
<b>Tightening torque:</b>	Max. 0.5 Nm
<b>Weight:</b>	0.005 kg

### AMBIENT CONDITION

<b>IP Protection:</b>	IP40 rear side, according to EN IEC 60529, IP67 front side, according to EN IEC 60529
<b>Operating temperature:</b>	- 25 °C ... + 55 °C
<b>Storage temperature:</b>	- 40 °C ... + 85 °C

**CERTIFICATE**

**REACH:** REACH compliant

**RoHS:** RoHS compliant

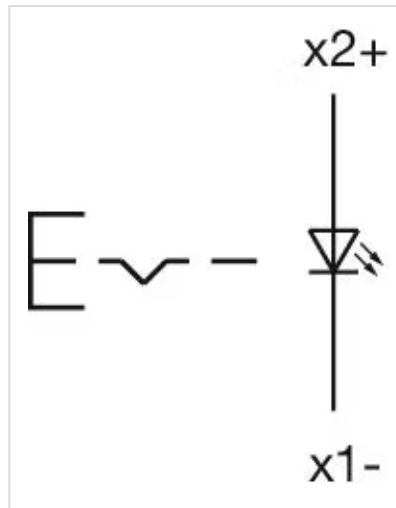
**OTHER**

**Short Description:** Actuator, Illuminated, Black, Plastic, Maintained

**Housing colour:** Black

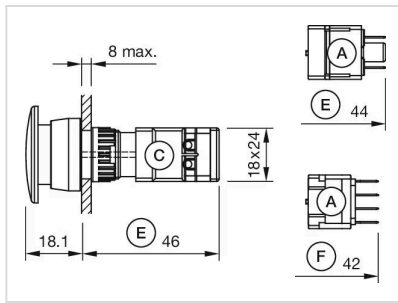
**Housing material:** Plastic, according to UL 94 V0, self-extinguishing

**Wiring diagrams:**

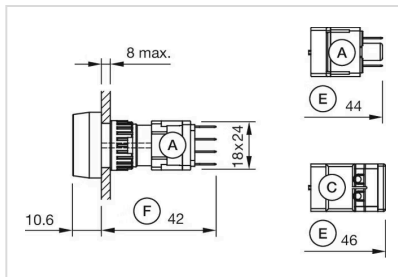


**Mounting cut-outs:**





A = Plug-in terminal 2.8 mm x 0.5 mm  
 C = Screw terminal  
 E = Slow-make switching element  
 F = Snap-action switching element



A = Plug-in terminal 2.8 mm x 0.5 mm  
 C = Screw terminal  
 E = Slow-make switching element  
 F = Snap-action switching element