

Actuator

61-
3440.4/2

Distribution by
Mouser



Your product:



61-3440.4/2 Actuator

Loading ...

MOUNTING

Mounting type: Panel mounting

OPERATING-/INDICATION PART

Lens colour: Red

Lens material: Plastic

Lens illumination: Non illuminated

Lens shape: Mushroom-head

Lens optics: opaque

MECHANICAL CHARACTERISTICS

Switching action: Maintained

Release type: Twist to unlock

Tightening torque: Max. 0.5 Nm

Weight: 0.021 kg

AMBIENT CONDITION

Operating temperature: – 25 °C ... + 55 °C

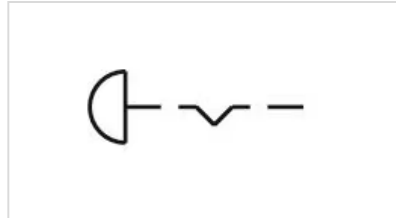
CERTIFICATE

REACH: REACH compliant

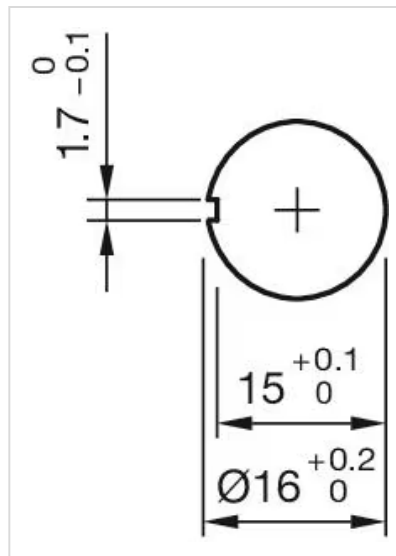
RoHS: RoHS compliant

OTHER

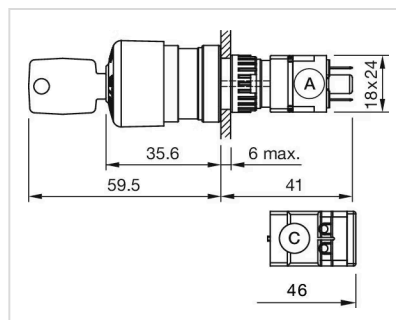
Short Description:	Actuator, Mushroom-head, Non illuminated, Red, Plastic, opaque, Maintained, Twist to unlock
Housing colour:	Yellow
Housing material:	Plastic
Marking:	Stop + Arrows
Product attributes:	Twist to unlock clockwise
Wiring diagrams:	



Mounting cut-outs:



Dimension drawings:



A = Plug-in terminal 2.8 mm x 0.5 mm
C = Screw terminal