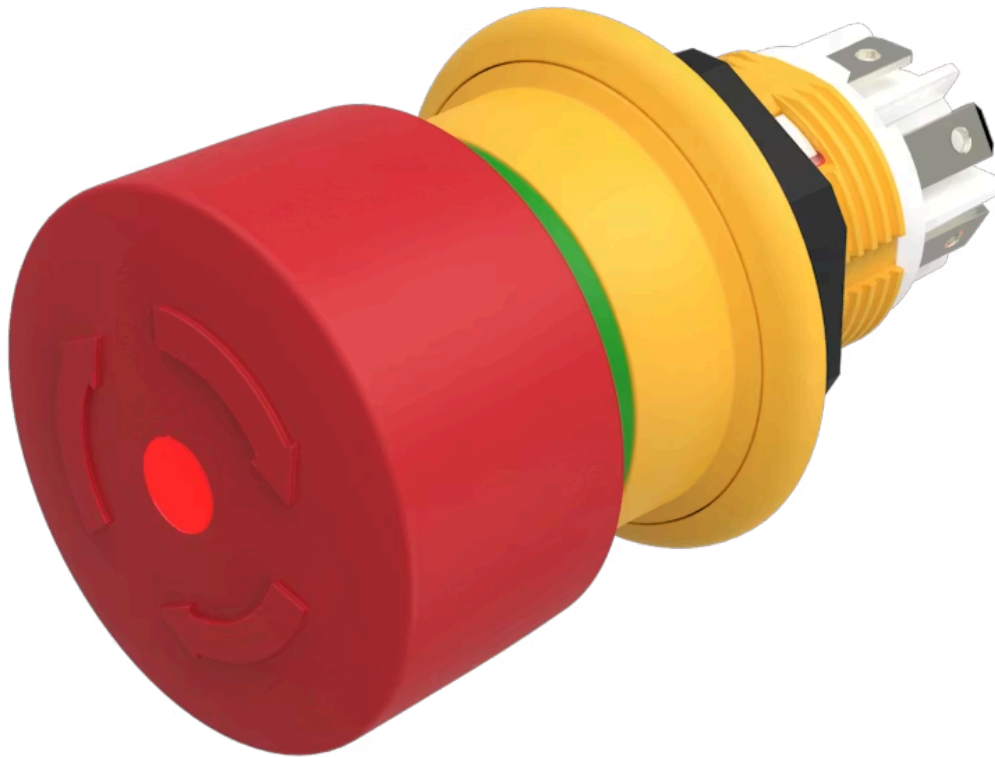


Actuator

61-
6451.4277

Distribution by
Mouser



<https://mouser.eao.com/component/61-6451.4277...>

Your product:



61-6451.4277 Actuator

Loading ...

FRONT

Front dimension: Ø 27 mm

Front form: Round

MOUNTING

Mounting type: Panel mounting

OPERATING-/INDICATION PART

Lens colour: Red

Lens material: Plastic

Lens illumination: Illuminated

Lens shape: Mushroom-head

Illumination colour: Red

ELECTRICAL CHARACTERISTICS

Switching voltage and switching current:

Alternating current usage category AC-15 according to EN IEC 60947-5-1	
Voltage	50 VAC
Current	0,2 A
DC usage category DC-13 according to EN IEC 60947-5-1	
Voltage	50 VDC
Current	0,2 A

Contacts: 1 NC / 1 NO

Contact resistance: At 20 mV, 100 mA (IEC 60512-2-1) Insulation resistance
2 MΩ between the open contacts
7 MΩ towards the panel (DIN IEC 60512-3-1)

Operating voltage: 6 - 32 V DC

Rated Operational Voltage Ue:	50 VAC / DC, according to EN / IEC 60947-5-1	
Rated impulse withstand voltage Uimp:	0.5 kV, according to EN / IEC 60947-1	
Rated insulation voltage Ui:	250 VAC/DC according to EN IEC 60947-1	
Rated short-circuit current caused:	1 000 A, type of short-circuit device 2 A gG (EN 60947-5-1)	
Recommended minimum operational data:	Voltage	1 VAC/DC
	Current	1 mA
Switching rating:	50 V AC/DC @ 0,2 A	
Electrical lifetime:	≥20 000 cycles of operation	
Electric strength:	500 VAC, 50 Hz, 1 minute according to DIN IEC 60512-2	
Overvoltage category:	II, according to EN / IEC 61058-1	
Pollution degree:	3, according to EN IEC 60947-1	
Standards:	According to EN 60947-5-1, EN 60947-5-5, DIN EN ISO 13850, EN IEC 60204	
Thermal current Ith:	0.5 A (EN IEC 60947-5-1 / max. current in continuous operation at max. + 55 degrees C)	

MECHANICAL CHARACTERISTICS

Terminal:	Plug-in terminal, 2.8 x 0.5 mm
Switching action:	Maintained
Release type:	Twist to unlock
Mechanical lifetime:	≥20 000 cycles of operation
Operating force:	30 N ±4 N
Operating Travel:	4.2 mm
Tightening torque:	Max. 0.8 Nm
Weight:	0.018 kg

AMBIENT CONDITION

IP Protection:	IP67 front side, according to EN IEC 60529/A1:2010-04, IP69K front side, according to EN IEC 60529/A1:2010-04, Panel surface roughness Ra1.6
IK Protection:	IK06
Operating temperature:	- 25 °C ... + 55 °C
Storage temperature:	- 40 °C ... + 85 °C
Shock resistance:	Max. 150 m / s ² , pulse width 11 ms, 3-axis, (semi-sinusoidal as per EN IEC 60068-2-27)

Vibration resistance:

Max. 100 m / s² from 10 Hz ... 500 Hz, 20 cycles, 3-axis (sinusoidal EN IEC 60068-2-6)

Climate resistance:

Damp heat, steady: 56 days, + 40 °C/93 % relative humidity, according to EN IEC 60068-2-78
 Dry heat: 96 hours, + 65 °C, as per EN IEC 60068-2-2
 Low temperature: 96 hours, - 25 °C (as per EN IEC 60068-2-1)) UV test, 56 days (EN 60068-2-5:1999)

CERTIFICATE**Approbations:**

CB (EN 60947), UL NISD (cULus, UL EU) LISTED E-File-Nr.: E341760

Conformities:

CE, UKCA

REACH:

REACH compliant

RoHS:

RoHS compliant

OTHER**Short Description:**

Actuator, Ø 27 mm, Mushroom-head, Illuminated, Red, Plastic, Round, 1 NC / 1 NO, Maintained, Plug-in terminal, 2.8 x 0.5 mm, Twist to unlock, Red

Kind of illumination:

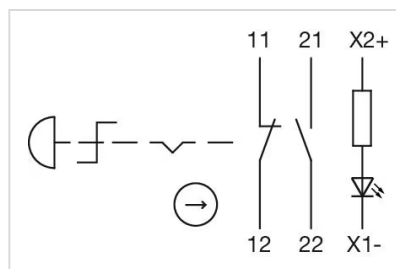
LED with polarity reversal protection

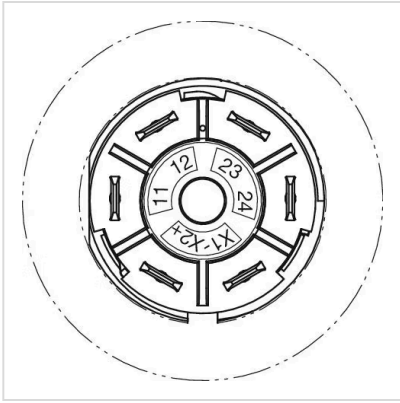
Dimension:

Ø 27 mm

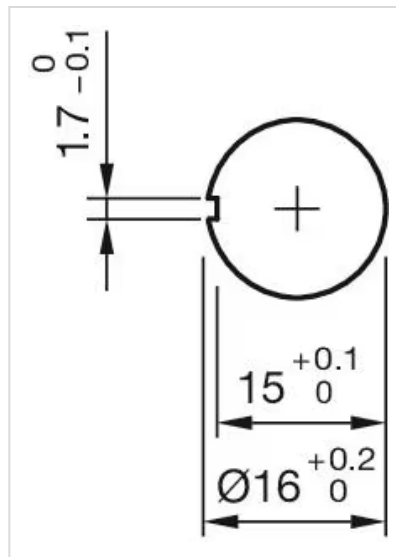
Hints:

Application as per DIN EN ISO 13850 and EN 60204-1
 Seal Part No. 61-9900
 Anti-twist ring No. 51-910
 Fixing nut No. 51-991
 Plug-in terminals 2.8 mm x 0.5 mm are solderable without UL certificate
 Front plate thickness 1 ... 4 mm with an anti-rotation ring
 Front plate thickness 1 ... 6 mm without an anti-rotation ring

Wiring diagrams:**Component layouts:**



Mounting cut-outs:



Dimension drawings:

