

Actuator

61-
7000.02

Distribution by
Mouser



Your product:



61-7000.02 Actuator

Loading ...

FRONT

Front form: Round

Front bezel material: Plastic

MOUNTING

Mounting cut-out: Ø 22.3 mm

Mounting type: Panel mounting

ELECTRICAL CHARACTERISTICS

Operating voltage: 10 - 26 V DC

Operation current: 20 mA

MECHANICAL CHARACTERISTICS

Terminal: Plug-in terminal, 2.8 x 0.5 mm

Tightening torque: Max. 0.5 Nm

Weight: 0.015 kg

ACOUSTICAL CHARACTERISTICS

Tone frequency: ca. 2.0 kHz

Sound pressure: 82dB (A) ±8dB at a distance of 0.1m (IP65)

AMBIENT CONDITION

IP front protection: IP40

Operating temperature: - 25 °C ... + 55 °C

Storage temperature: - 40 °C ... + 85 °C

CERTIFICATE

Conformities: CE, UKCA, 2011 / 65 / EC (RoHS)

REACH: REACH compliant

RoHS: RoHS compliant

OTHER

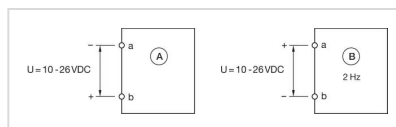
Short Description: Actuator, Ø 22.3 mm, Round, Plastic, Plug-in terminal, 2.8 x 0.5 mm, IP40

Housing material: Plastic

Hints: Change polarity for continuous or intermittent tone

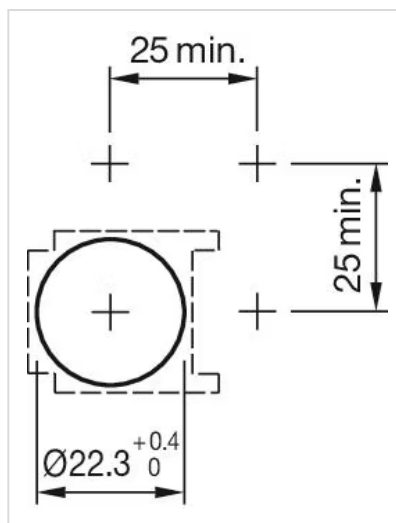
Buzzer system: Electronic non-contacting buzzer with IC oscillator

Wiring diagrams:

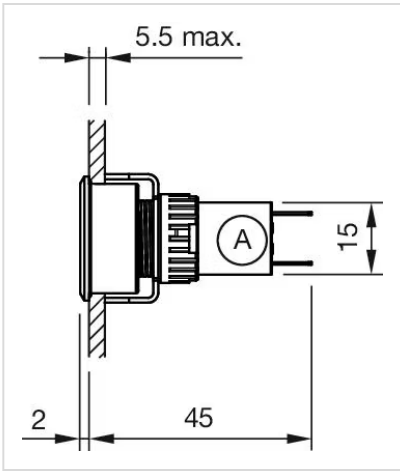


A = Continuous tone
B = Interval tone 2Hz

Mounting cut-outs:



Dimension drawings:



A = Plug-in terminal 2.8 mm x 0.5 mm