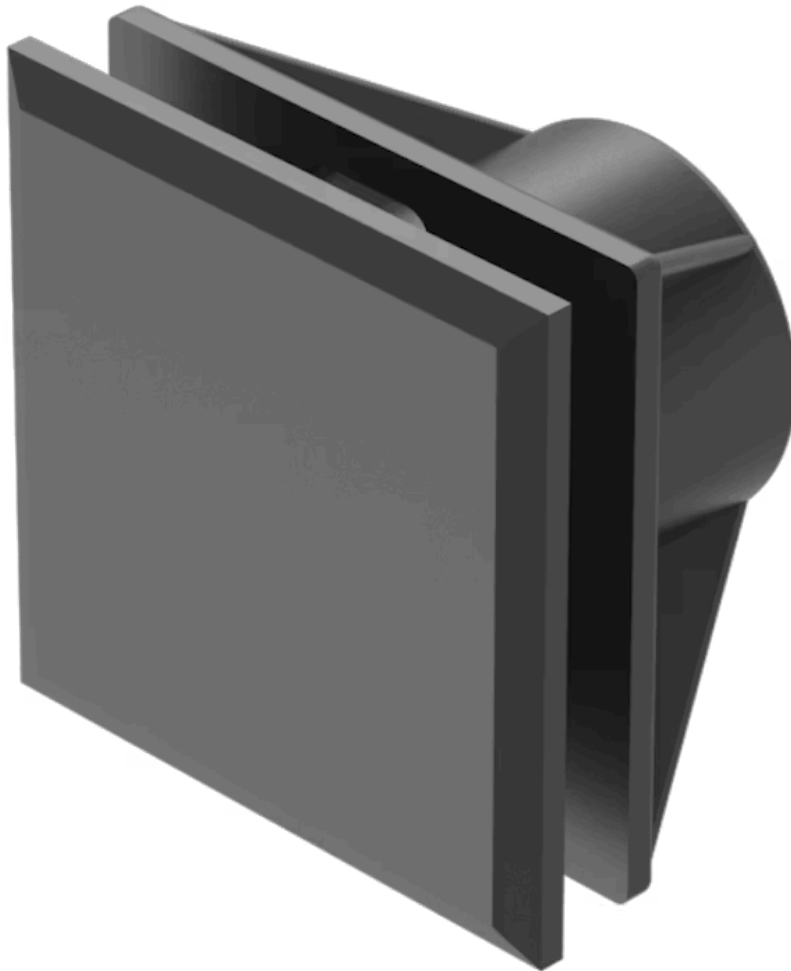


Blind plug

61-9451.0

Distribution by
Mouser



<https://mouser.eao.com/component/61-9451.0/en...>

Your product:



61-9451.0 Blind plug

Loading ...

FRONT

Colour: Black

MOUNTING

Mounting cut-out: 21 mm x 21 mm

ELECTRICAL CHARACTERISTICS

Forward voltage:

MECHANICAL CHARACTERISTICS

Weight: 0.006 kg

OTHER

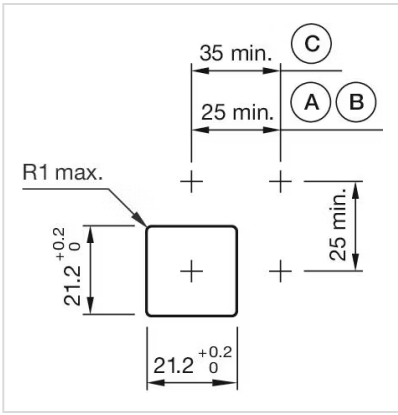
Short Description: Blind plug, 24 mm x 24 mm, 21 mm x 21 mm, Plastic, Black

Titel Accessory: Blind plug

Dimension: 24 mm x 24 mm

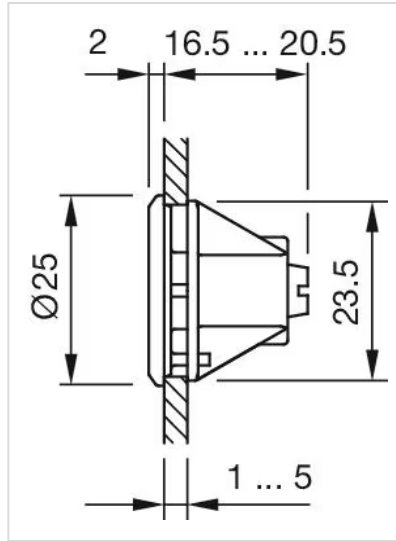
Material: Plastic

Mounting cut-outs:



A = Solder/Plug-in terminal 2.8 mm x 0.5 mm
 B = Solder terminal
 C = Screw terminal

Dimension drawings:



for Part No. 61-9453.0