

# Blind plug

61-9452.0

Distribution by  
Mouser



<https://mouser.eao.com/component/61-9452.0/en...>

Your product:

---



## 61-9452.0 Blind plug

*Loading ...*

### FRONT

**Colour:** Black

### MOUNTING

**Mounting cut-out:** 21 mm x 27 mm

### ELECTRICAL CHARACTERISTICS

**Forward voltage:**

### MECHANICAL CHARACTERISTICS

**Weight:** 0.007 kg

### OTHER

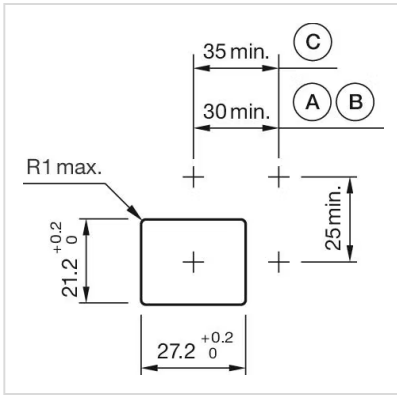
**Short Description:** Blind plug, 30 mm x 24 mm, 21 mm x 27 mm, Plastic, Black

**Titel Accessory:** Blind plug

**Dimension:** 30 mm x 24 mm

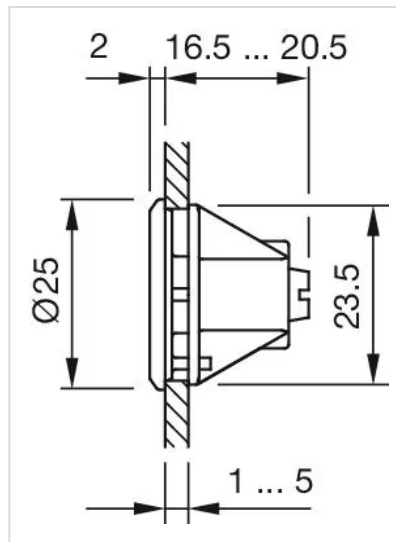
**Material:** Plastic

**Mounting cut-outs:**



A = Solder/Plug-in terminal 2.8 mm x 0.5 mm  
 B = Solder terminal  
 C = Screw terminal

**Dimension drawings:**



for Part No. 61-9453.0