

Protection cover

61-9924.0

Distribution by
Mouser



<https://mouser.eao.com/component/61-9924.0/en...>

Your product:



61-9924.0 Protection cover

Loading ...

FRONT

Front dimension: Ø 25 mm

Colour: Colourless

MOUNTING

Design: Flush

Mounting cut-out: Ø 22.5 mm

ELECTRICAL CHARACTERISTICS

Forward voltage:

MECHANICAL CHARACTERISTICS

Weight: 0.006 kg

OTHER

Short Description: Protection cover, Ø 25 mm, Ø 22.5 mm, Plastic, transparent, Colourless

Titel Accessory: Protection cover

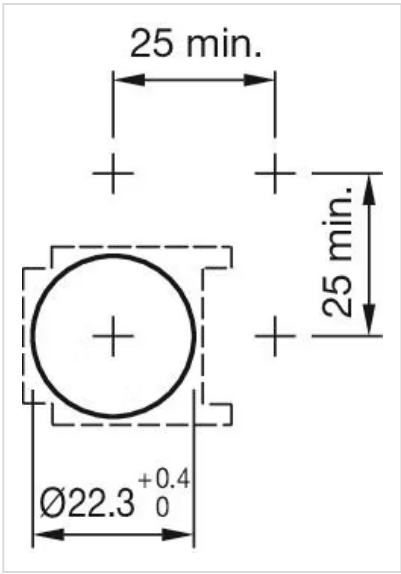
Dimension: Ø 25 mm

Material: Plastic

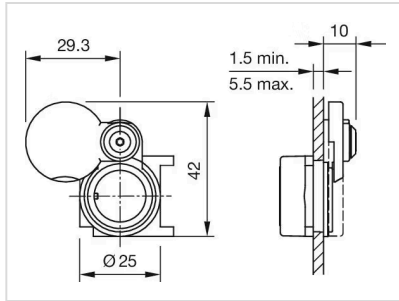
Product attributes: Slide by side, without cover locking hole, for device with front dimension Ø 25 mm

Optics: transparent

Mounting cut-outs:



Dimension drawings:



for Part No. 61-9924.0