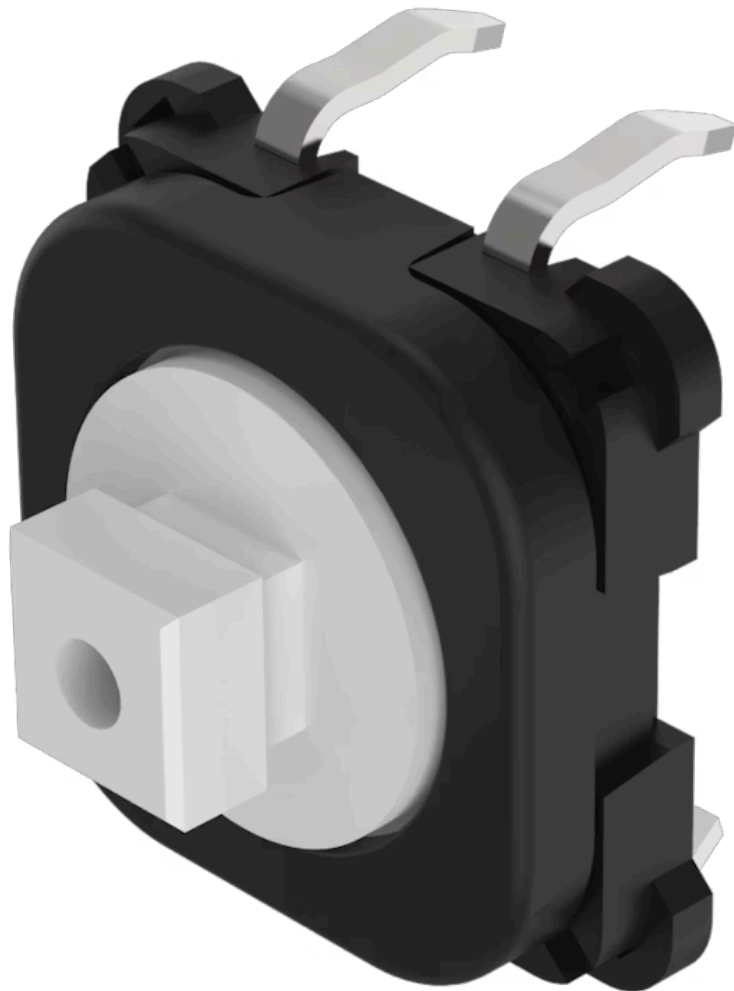


Switching element

70-201.0

Distribution by
Mouser



<https://mouser.eao.com/component/70-201.0/en/...>

Your product:



70-201.0 Switching element

Loading ...

ELECTRICAL CHARACTERISTICS

Switching voltage and switching current:

Switching voltage	min. 50 m VAC/DC max. 42 VAC/DC
Switching current	min. 10 μ A AC/DC max. 100 mA AC/DC
Power rating	max. 2 W

Contacts:

1 NO

Forward voltage:

Switching rating:

42 V @ 0,1 A

Electrical lifetime:

\geq 500 000 cycles of operation at 42VDC, 50mA, according to IEC 60512-5-9c,
When attention is paid to the direction of current flow from terminal 3/4 to 1/2 the electrical life can be prolonged.

Electric strength:

500 VAC, 50 Hz, 1 minute according to DIN IEC 60512-2-4a

MECHANICAL CHARACTERISTICS

Terminal:

PCB terminal

Contact material:

Gold

Switching action:

Momentary

Switching system:

Short-travel element

Switching system:

Short-travel snap-action switching system with two independent contact points and tactile operation
Guarantees reliable switching even of very light loads.
1 normally open contact

Mechanical lifetime:

\geq 1 Mil. cycles of operation (switching element under overlay), \geq 5 Mil. cycles of operation (switching element without overlay)

Operating force:

2,1 N \pm 0,2 N with decor foil, >50 N max. on button centre with test plunger, according to DIN 42115

Operating Travel:

ca. 0.5 mm

Weight:

0.001 kg

AMBIENT CONDITION

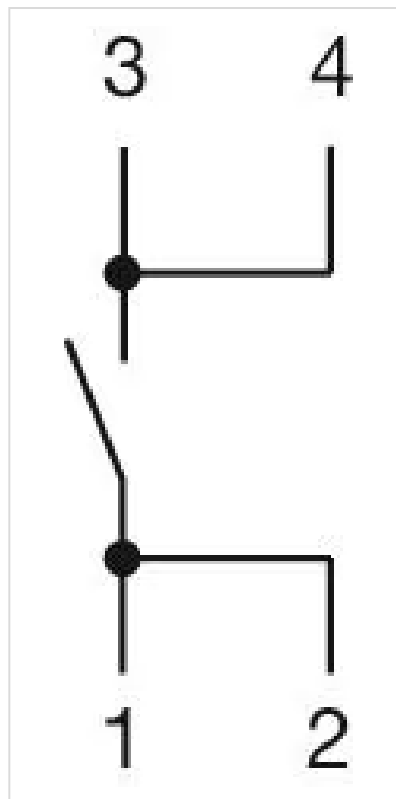
IP Protection:	IP40 (only switching element), IP65 (front side with overlay foil)
Operating temperature:	- 25 °C ... + 70 °C
Storage temperature:	- 40 °C ... + 85 °C

CERTIFICATE

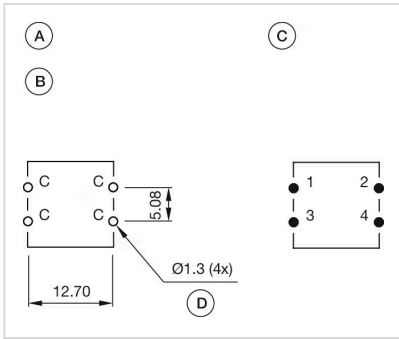
Conformities:	CE, UKCA, 2011 / 65 / EC (RoHS)
REACH:	REACH compliant
RoHS:	RoHS compliant

OTHER

Short Description:	Switching element, Short-travel element, 42 V @ 0,1 A, Gold, 1 NO, PCB terminal
Product attributes:	Operation with spacing cap
Wiring diagrams:	



Component layouts:



- A = Switching element without illumination
- B = Drilling plan (component side)
- C = Occupancy plan (component side)
- D = Hole for switching element

Dimension drawings:

