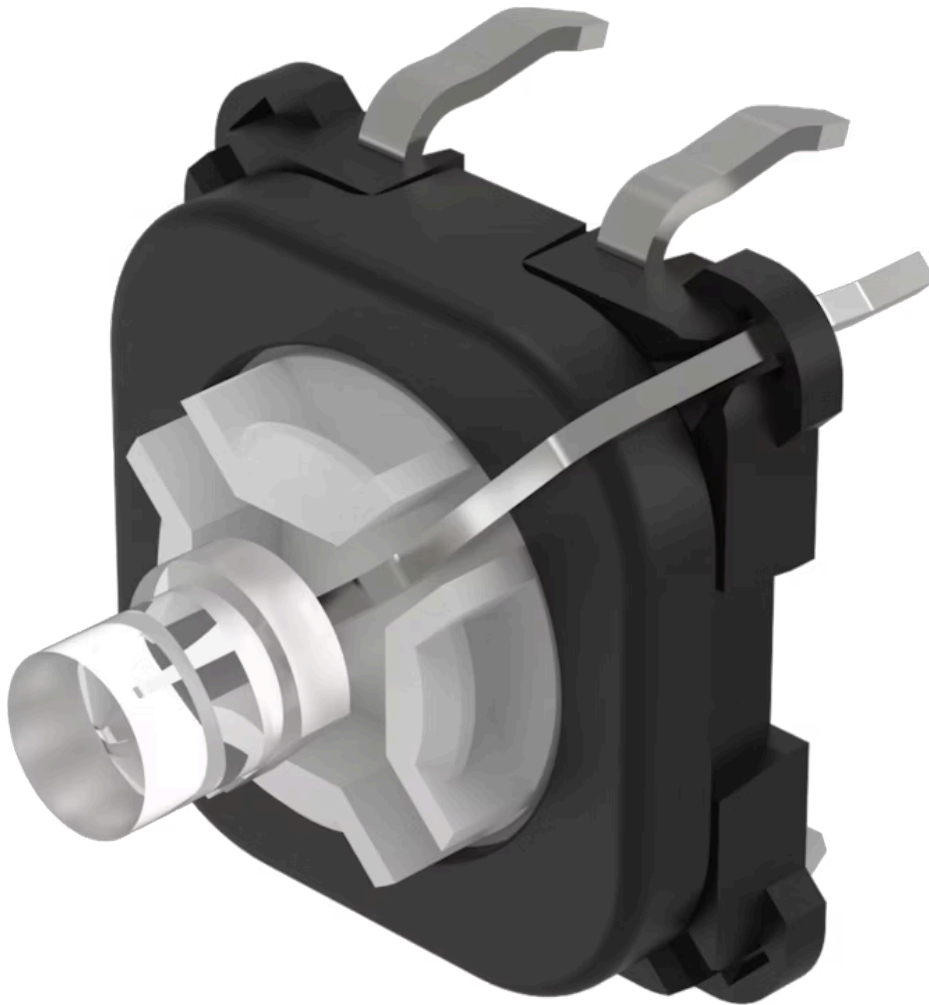


# Switching element

70-220.9S

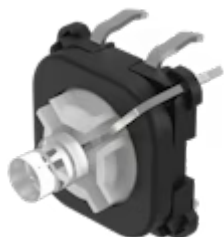
Distribution by  
Mouser



<https://mouser.eao.com/component/70-220.9S/en...>

Your product:

---



## 70-220.9S Switching element

*Loading ...*

### OPERATING-/INDICATION PART

**Illumination colour:** White

### ELECTRICAL CHARACTERISTICS

**Contacts:** 1 NO

**Switching rating:** 42 V DC @ 0,1 A

**Lumi. Intensity:** 500 mcd

### MECHANICAL CHARACTERISTICS

**Terminal:** PCB terminal

**Contact material:** Gold

**Switching action:** Momentary

**Switching system:** Short-travel element

**Weight:** 0.001 kg

### CERTIFICATE

**REACH:** REACH compliant

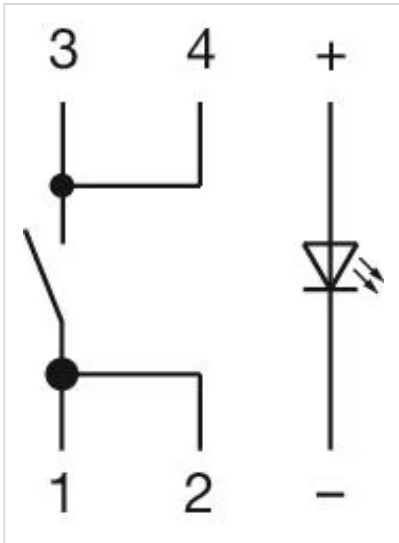
**RoHS:** RoHS compliant

### OTHER

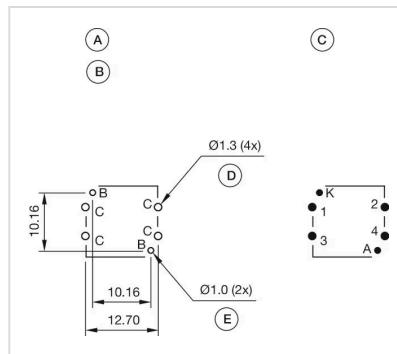
**Short Description:** Switching element, Short-travel element, 42 V DC @ 0,1 A, Gold, 1 NO, PCB terminal

**Hints:** The customer has to decide what series resistor shall be used to the LED

**Wiring diagrams:**



**Component layouts:**



- A = Switching element with illumination
- B = Single LED
- C = Drilling plan (component side)
- D = Hole for switching element, pad max.  $\varnothing$  2.5 mm
- E = Hole for LED

**Dimension drawings:**

