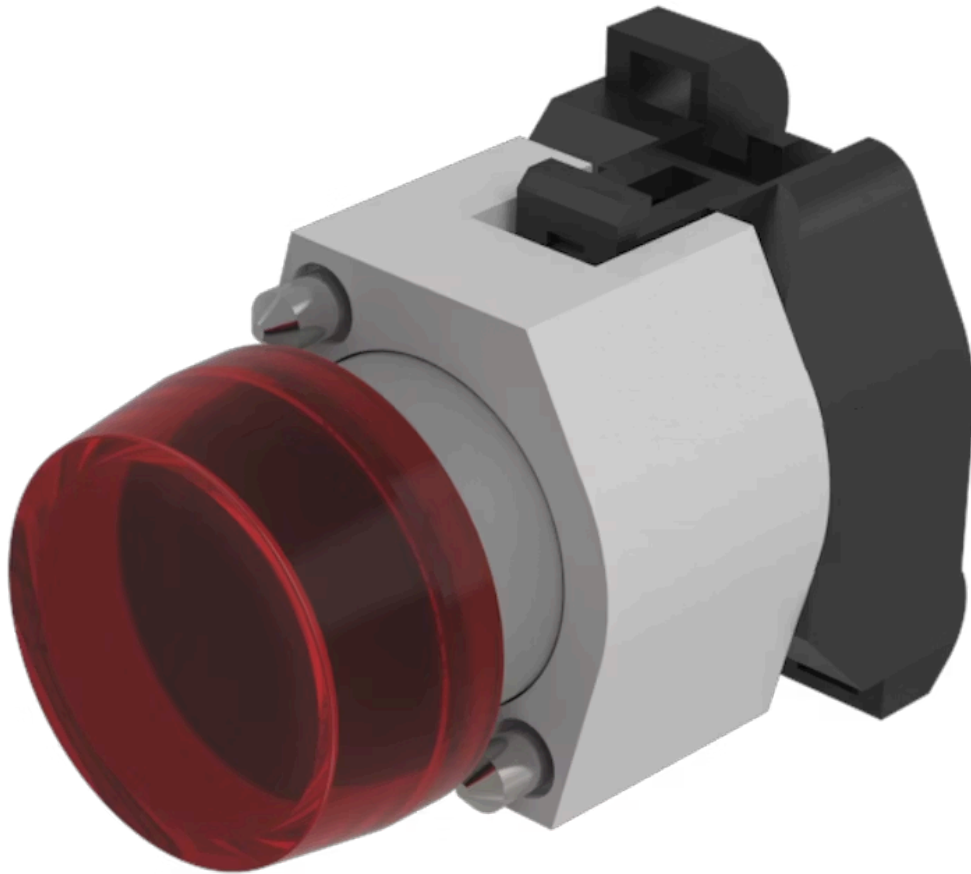


Actuator

704.000.2

Distribution by
Mouser



<https://mouser.eao.com/component/704.000.2/en...>

Your product:



704.000.2 Actuator

Loading ...

FRONT

Front dimension: Ø 29 mm

Front form: Round

MOUNTING

Design: Raised

Mounting type: Panel mounting

OPERATING-/INDICATION PART

Lens cap colour: Red

Lens cap material: Plastic

Lens cap optical effect: transparent

Marking cap colour: White

Marking cap optics: translucent

ELECTRICAL CHARACTERISTICS

Standards: The switches comply with the "Standards for low-voltage switching devices" DIN EN 60947-1

MECHANICAL CHARACTERISTICS

Terminal: Screw terminal

Weight: 0.032 kg

AMBIENT CONDITION

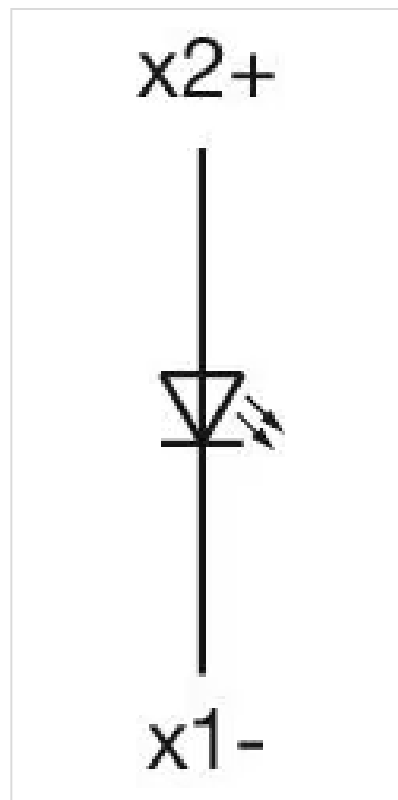
IP Protection: IP65 front side
Operating temperature: - 40 °C ... + 55 °C
Storage temperature: - 40 °C ... + 85 °C

CERTIFICATE

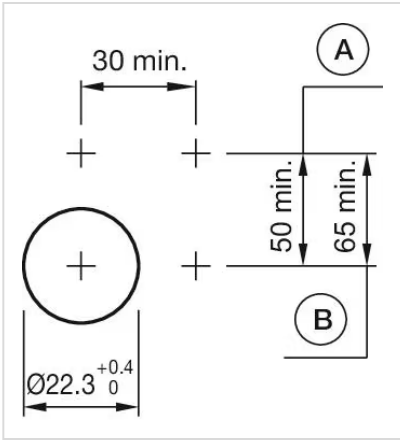
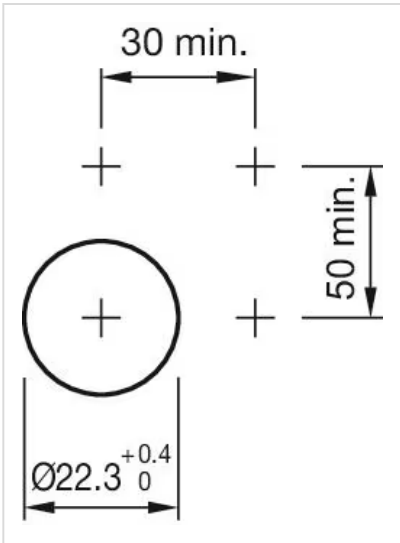
REACH: REACH compliant
RoHS: RoHS compliant

OTHER

Short Description: Actuator, Ø 29 mm, Round, Screw terminal
Housing colour: Grey
Housing material: Plastic
Wiring diagrams:



Mounting cut-outs:



A = Screw terminal
 B = Push-in terminal (PIT)

Dimension drawings:



A = Screw terminal