

# Actuator

704.000.5

Distribution by  
Mouser



<https://mouser.eao.com/component/704.000.5/en...>

Your product:

---



## 704.000.5 Actuator

*Loading . . .*

### FRONT

**Front dimension:** Ø 29 mm

**Front form:** Round

### MOUNTING

**Design:** Raised

**Mounting type:** Panel mounting

### OPERATING-/INDICATION PART

**Lens cap colour:** Green

**Lens cap material:** Plastic

**Lens cap optical effect:** transparent

**Marking cap colour:** White

**Marking cap optics:** translucent

### ELECTRICAL CHARACTERISTICS

**Standards:** The switches comply with the "Standards for low-voltage switching devices" DIN EN 60947-1

### MECHANICAL CHARACTERISTICS

**Terminal:** Screw terminal

**Weight:** 0.032 kg

### AMBIENT CONDITION

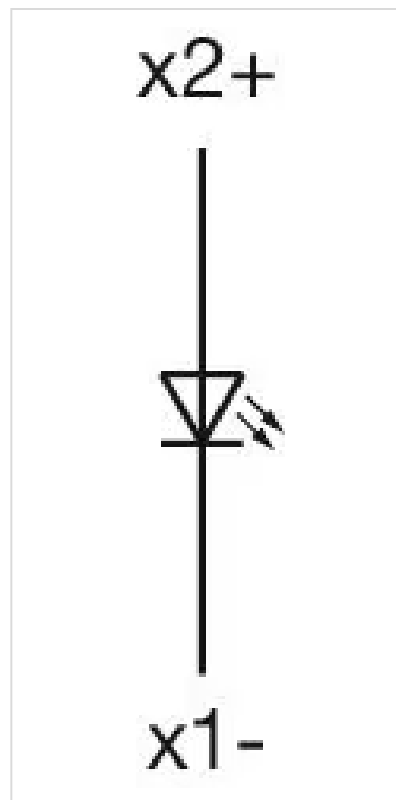
**IP Protection:** IP65 front side  
**Operating temperature:** - 40 °C ... + 55 °C  
**Storage temperature:** - 40 °C ... + 85 °C

### CERTIFICATE

**REACH:** REACH compliant  
**RoHS:** RoHS compliant

### OTHER

**Short Description:** Actuator, Ø 29 mm, Round, Screw terminal  
**Housing colour:** Grey  
**Housing material:** Plastic  
**Wiring diagrams:**



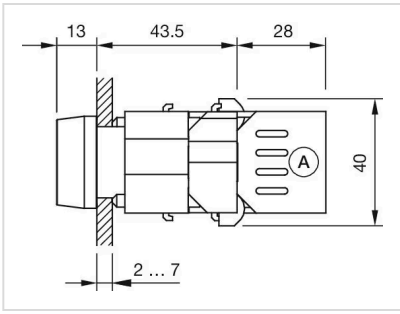
**Mounting cut-outs:**



A = Screw terminal  
 B = Push-in terminal (PIT)



**Dimension drawings:**



A = Screw terminal

