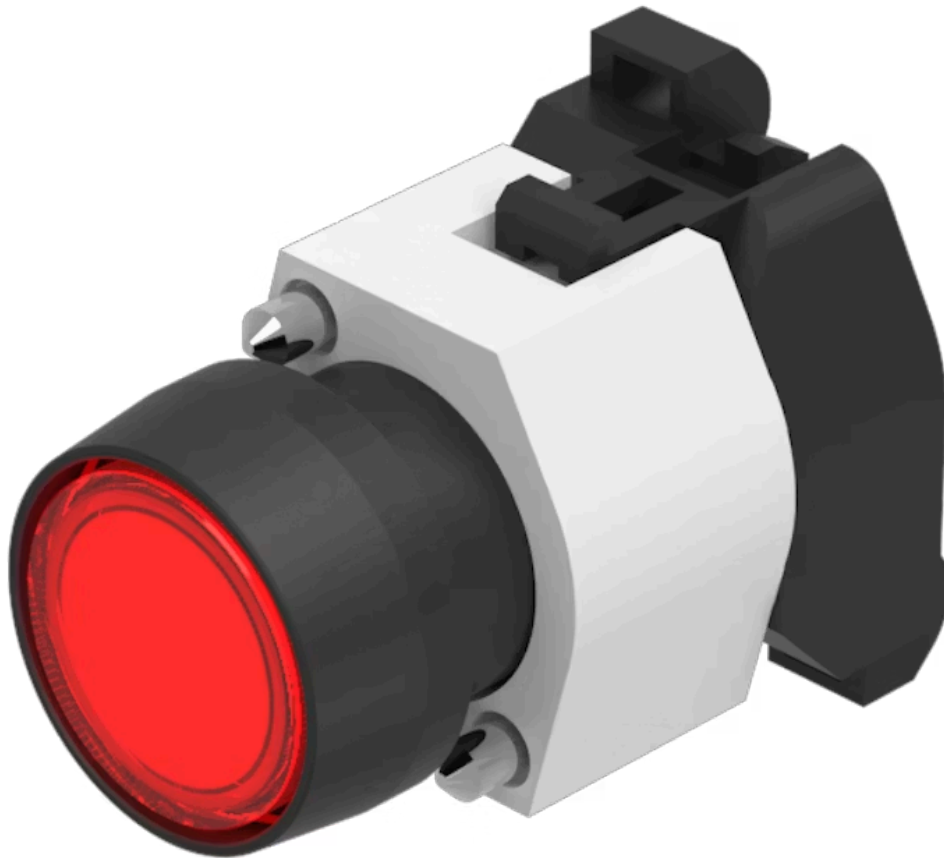


Actuator

704.006.2

Distribution by
Mouser



<https://mouser.eao.com/component/704.006.2/en...>

Your product:



704.006.2 Actuator

Loading ...

FRONT

Front dimension:	Ø 29 mm
Front form:	Round
Front bezel colour:	Black
Front bezel material:	Plastic

MOUNTING

Design:	Raised
Mounting type:	Panel mounting

OPERATING-/INDICATION PART

Lens colour:	Red
Lens material:	Plastic
Lens shape:	Flush
Lens optics:	transparent
Marking plate colour:	White
Marking plate optics:	translucent
Marking plate illumination:	illuminative

ELECTRICAL CHARACTERISTICS

Standards:	The switches comply with the "Standards for low-voltage switching devices" DIN EN 60947-1
-------------------	---

MECHANICAL CHARACTERISTICS

Terminal: Screw terminal

Weight: 0.037 kg

AMBIENT CONDITION

IP Protection: IP65 front side

Operating temperature: – 40 °C ... + 55 °C

Storage temperature: – 40 °C ... + 85 °C

CERTIFICATE

REACH: REACH compliant

RoHS: RoHS compliant

OTHER

Short Description: Actuator, Ø 29 mm, Flush, Red, Plastic, transparent, Round, Black, Plastic, Screw terminal

Housing colour: Grey

Housing material: Plastic

Hints: Filament lamp or LED

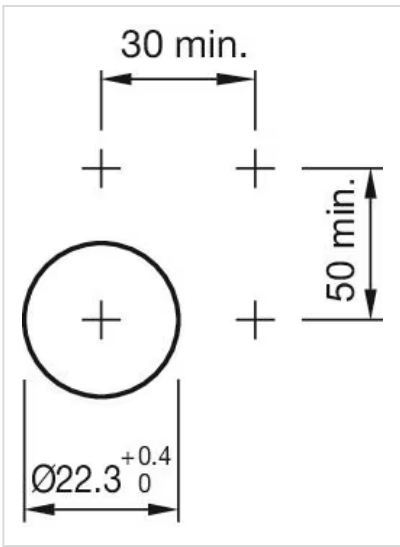
Wiring diagrams:



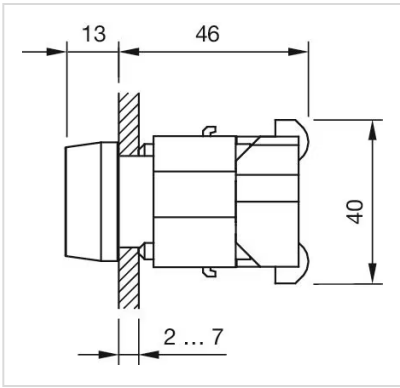
Mounting cut-outs:



A = Screw terminal
 B = Push-in terminal (PIT)



Dimension drawings:



A = Screw terminal