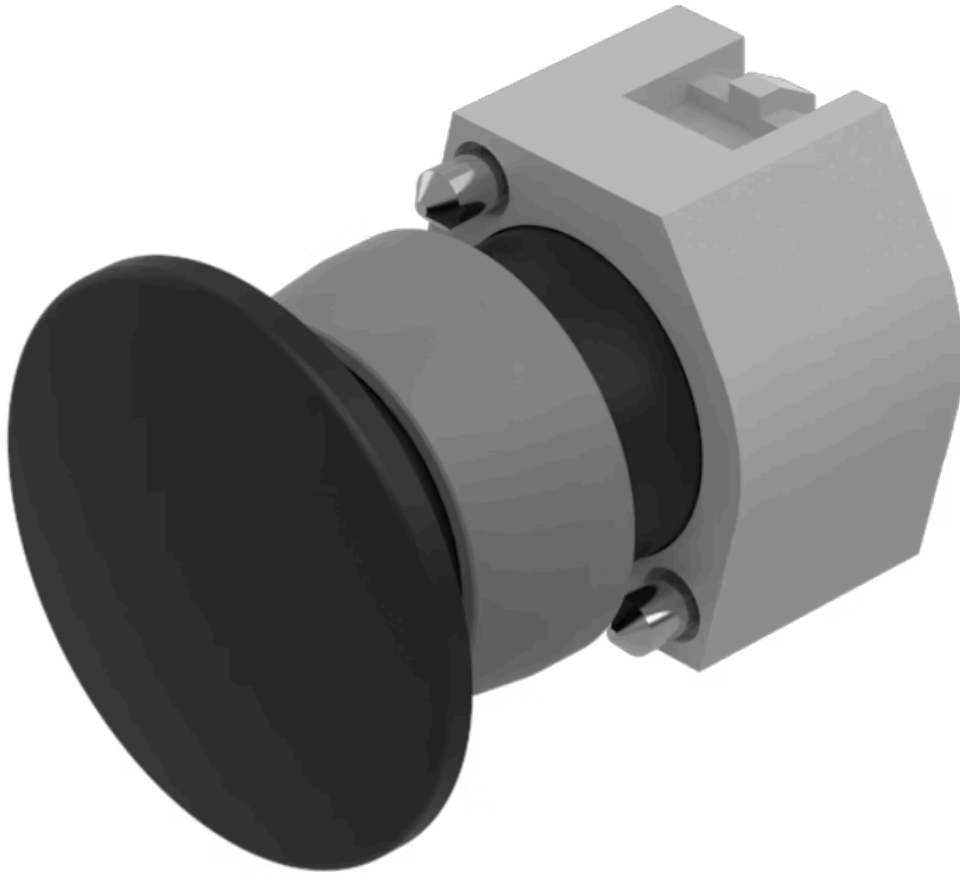


# Actuator

704.071.0

Distribution by  
Mouser



Your product:

---



## 704.071.0 Actuator

### FRONT

<b>Front dimension:</b>	Ø 40 mm
<b>Front form:</b>	Round
<b>Front bezel colour:</b>	Nature
<b>Front bezel material:</b>	Aluminium
<b>Front bezel shape:</b>	With protective hood

### MOUNTING

<b>Design:</b>	Raised
<b>Mounting type:</b>	Panel mounting

### OPERATING-/INDICATION PART

<b>Lens colour:</b>	Black
<b>Lens material:</b>	Plastic
<b>Lens illumination:</b>	Non illuminated
<b>Lens shape:</b>	Mushroom-head
<b>Lens optics:</b>	opaque

### MECHANICAL CHARACTERISTICS

<b>Switching action:</b>	Momentary
<b>Mechanical lifetime:</b>	≤3 Mil. cycles of operation
<b>Weight:</b>	0.023 kg

**CERTIFICATE**

**REACH:** REACH compliant  
**RoHS:** RoHS compliant

**OTHER**

**Short Description:** Actuator, Ø 40 mm, Mushroom-head, Non illuminated, Black, Plastic, opaque, Round, With protective hood, Nature, Aluminium, anodised, Momentary

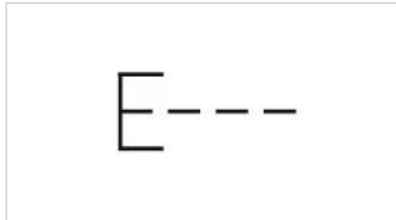
**Housing colour:** Grey

**Housing material:** Plastic

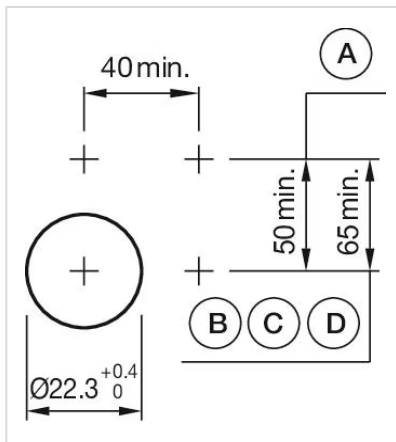
**Hints:** Max. 3 switching elements can be clipped on

**max. number of switching elements:** 3

**Wiring diagrams:**



**Mounting cut-outs:**



- A = Screw terminal
- B = Push-in terminal (PIT)
- C = Plug-in terminal 6.3 mm x 0.8 mm
- D = Double plug-in terminal 6.3 mm x 0.8 mm

**Dimension drawings:**



A = Screw terminal