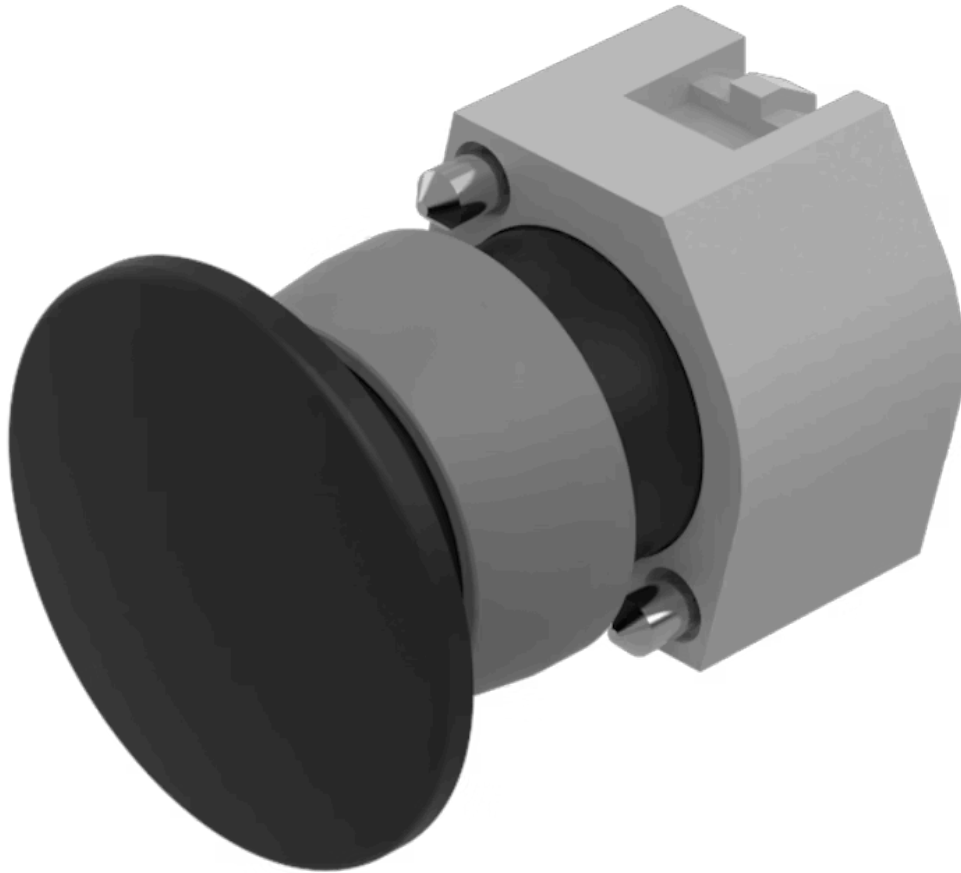


Actuator

704.073.0

Distribution by
Mouser



<https://mouser.eao.com/component/704.073.0/en...>

Your product:



704.073.0 Actuator

FRONT

Front dimension:	Ø 40 mm
Front form:	Round
Front bezel colour:	Nature
Front bezel material:	Aluminium
Front bezel shape:	With protective hood

MOUNTING

Design:	Raised
Mounting type:	Panel mounting

OPERATING-/INDICATION PART

Lens colour:	Black
Lens material:	Plastic
Lens illumination:	Non illuminated
Lens shape:	Mushroom-head
Lens optics:	opaque

MECHANICAL CHARACTERISTICS

Switching action:	Maintained
Mechanical lifetime:	≤3 Mil. cycles of operation
Weight:	0.028 kg

CERTIFICATE

REACH: REACH compliant
RoHS: RoHS compliant

OTHER

Short Description: Actuator, Ø 40 mm, Mushroom-head, Non illuminated, Black, Plastic, opaque, Round, With protective hood, Nature, Aluminium, anodised, Maintained

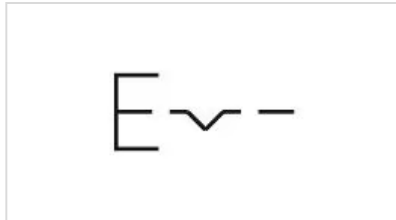
Housing colour: Grey

Housing material: Plastic

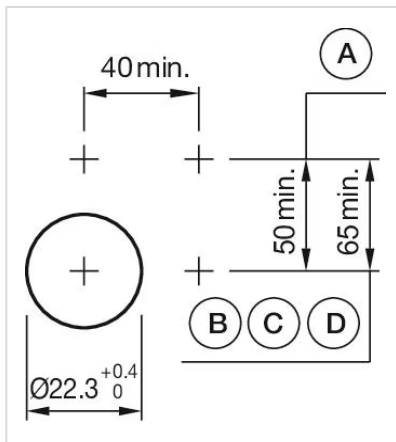
Hints: Max. 3 switching elements can be clipped on

max. number of switching elements: 3

Wiring diagrams:



Mounting cut-outs:



- A = Screw terminal
- B = Push-in terminal (PIT)
- C = Plug-in terminal 6.3 mm x 0.8 mm
- D = Double plug-in terminal 6.3 mm x 0.8 mm

Dimension drawings:



A = Screw terminal