

Actuator

704.075.3

Distribution by
Mouser



<https://mouser.eao.com/component/704.075.3/en...>

Your product:



704.075.3 Actuator

Loading ...

FRONT

| | |
|------------------------------|-----------|
| Front dimension: | Ø 40 mm |
| Front form: | Round |
| Front bezel colour: | Nature |
| Front bezel material: | Aluminium |

MOUNTING

| | |
|-----------------------|----------------|
| Design: | Raised |
| Mounting type: | Panel mounting |

OPERATING-/INDICATION PART

| | |
|---------------------------|-----------------|
| Lens colour: | Red |
| Lens material: | Plastic |
| Lens illumination: | Non illuminated |
| Lens shape: | Mushroom-head |
| Lens optics: | opaque |

ELECTRICAL CHARACTERISTICS

| | |
|-------------------|---|
| Standards: | The switches comply with the "Standards for low-voltage switching devices" DIN EN 60947-1 |
|-------------------|---|

MECHANICAL CHARACTERISTICS

| | |
|-----------------------------|-----------------------------|
| Switching action: | Maintained |
| Mechanical lifetime: | ≤50 000 cycles of operation |

Operating force: 8 N
Operating Travel: ca. 5.8 mm ± 0.2 mm
Weight: 0.012 kg

AMBIENT CONDITION

IP Protection: IP65 front side
Operating temperature: – 40 °C ... + 55 °C
Storage temperature: – 40 °C ... + 85 °C

CERTIFICATE

REACH: REACH compliant
RoHS: RoHS compliant

OTHER

Short Description: Actuator, Ø 40 mm, Mushroom-head, Non illuminated, Red, Plastic, opaque, Round, Nature, Aluminium, anodised, Maintained

Housing colour: Grey

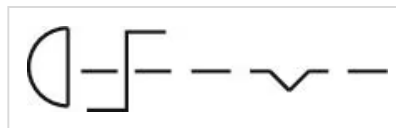
Housing material: Plastic

Marking: Stop

Product attributes: Twist to unlock clockwise

max. number of switching elements: 3

Wiring diagrams:

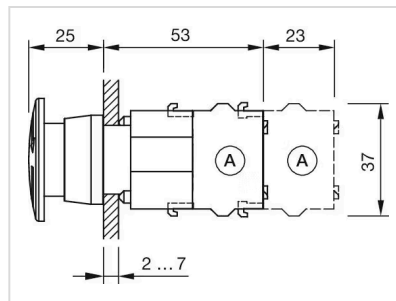


Mounting cut-outs:



- A = Screw terminal
- B = Push-in terminal (PIT)
- C = Plug-in terminal 6.3 mm x 0.8 mm
- D = Double plug-in terminal 6.3 mm x 0.8 mm

Dimension drawings:



A = Screw terminal