

Actuator

704.095.0T28N

Distribution by
Mouser



<https://mouser.eao.com/component/704.095.0T28...>

Your product:



704.095.0T28N Actuator

FRONT

Front dimension:	Ø 38 mm
Front form:	Round
Front bezel colour:	Nature
Front bezel material:	Stainless steel

MOUNTING

Design:	Flush
Mounting cut-out:	Ø 33 mm
Mounting type:	Panel mounting

MECHANICAL CHARACTERISTICS

Switching action:	Momentary - Rest - Momentary
Switching positions:	3 positions
Switching angle:	42° left / 42° right
Mechanical lifetime:	≤250 000 cycles of operation
Weight:	0.195 kg

CERTIFICATE

REACH:	REACH compliant
RoHS:	RoHS compliant

OTHER

Short Description:

Actuator, Ø 33 mm, Ø 38 mm, Round, Nature, Stainless steel, Momentary - Rest - Momentary

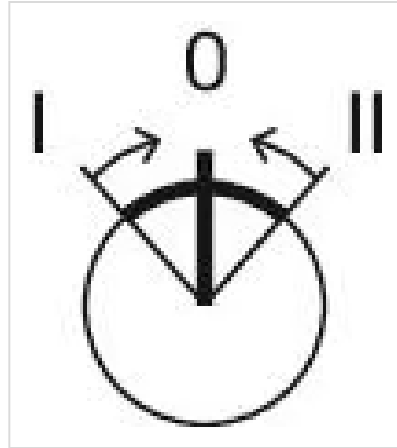
Hints:

Max. 2 switching elements can be clipped on

max. number of switching elements:

1

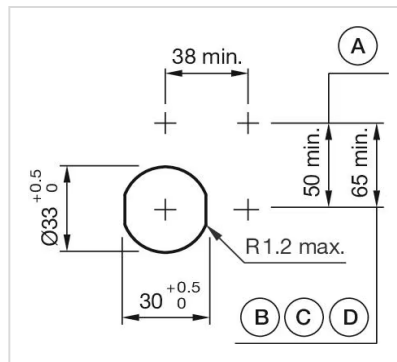
Switching positions:



Wiring diagrams:

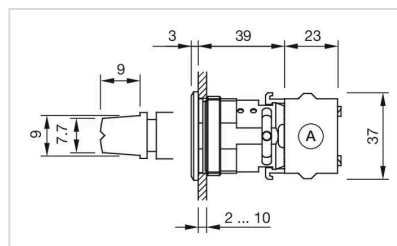


Mounting cut-outs:



- A = Screw terminal
- B = Push-in terminal (PIT)
- C = Plug-in terminal 6.3 mm x 0.8 mm
- D = Double plug-in terminal 6.3 mm x 0.8 mm

Dimension drawings:



- A = Screw terminal