

Actuator

704.203.4

Distribution by
Mouser



<https://mouser.eao.com/component/704.203.4/en...>

Your product:



704.203.4 Actuator

Loading ...

FRONT

Front dimension:	30 mm x 30 mm
Front form:	Square
Front bezel colour:	Grey
Front bezel material:	Plastic

MOUNTING

Design:	Raised
Mounting type:	Panel mounting

OPERATING-/INDICATION PART

Lens colour:	Yellow
Lens material:	Plastic
Lens shape:	Flush
Lens optics:	transparent
Marking plate colour:	Colourless
Marking plate optics:	transparent
Marking plate illumination:	illuminative

ELECTRICAL CHARACTERISTICS

Standards:	The switches comply with the "Standards for low-voltage switching devices" DIN EN 60947-1
-------------------	---

MECHANICAL CHARACTERISTICS

Terminal: Screw terminal

Weight: 0.04 kg

AMBIENT CONDITION

IP Protection: IP65 front side

Operating temperature: - 40 °C ... + 55 °C

Storage temperature: - 40 °C ... + 85 °C

CERTIFICATE

REACH: REACH compliant

RoHS: RoHS compliant

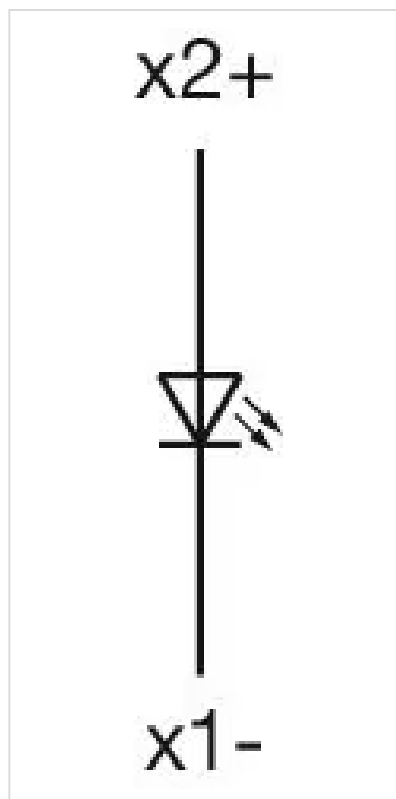
OTHER

Short Description: Actuator, 30 mm x 30 mm, Flush, Yellow, Plastic, transparent, Square, Grey, Plastic, Screw terminal

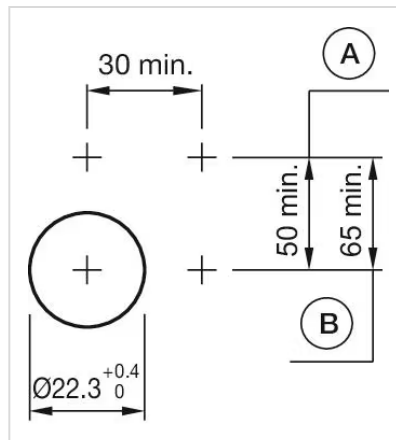
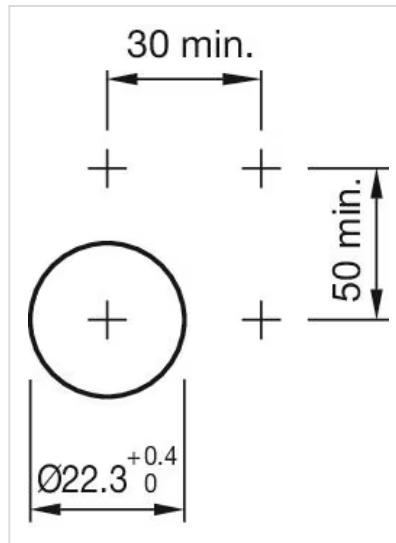
Housing colour: Black

Housing material: Plastic

Wiring diagrams:

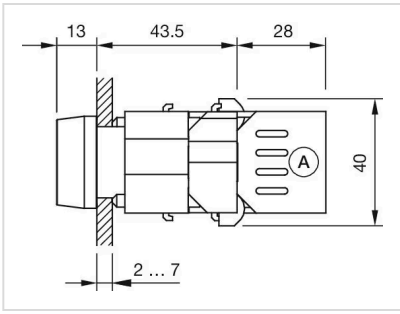


Mounting cut-outs:



A = Screw terminal
B = Push-in terminal (PIT)

Dimension drawings:



A = Screw terminal

