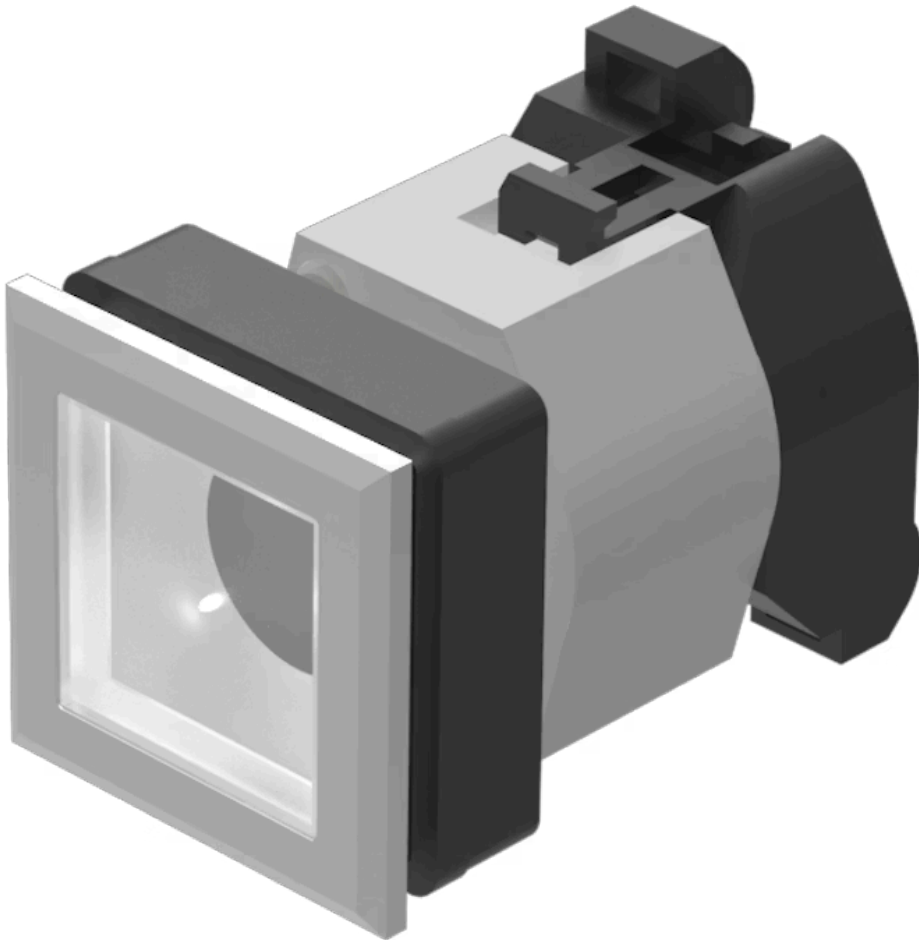


# Actuator

704.260.708

Distribution by  
Mouser



<https://mouser.eao.com/component/704.260.708/...>

Your product:

---



## 704.260.708 Actuator

*Loading ...*

### FRONT

|                              |               |
|------------------------------|---------------|
| <b>Front dimension:</b>      | 35 mm x 35 mm |
| <b>Front form:</b>           | Square        |
| <b>Front bezel colour:</b>   | Silver        |
| <b>Front bezel material:</b> | Plastic       |

### MOUNTING

|                          |                |
|--------------------------|----------------|
| <b>Design:</b>           | Flush          |
| <b>Mounting cut-out:</b> | 30 mm x 30 mm  |
| <b>Mounting type:</b>    | Panel mounting |

### OPERATING-/INDICATION PART

|                           |             |
|---------------------------|-------------|
| <b>Lens colour:</b>       | Colourless  |
| <b>Lens material:</b>     | Plastic     |
| <b>Lens illumination:</b> | Illuminated |
| <b>Lens shape:</b>        | Flush       |
| <b>Lens optics:</b>       | transparent |

### ELECTRICAL CHARACTERISTICS

|                   |   |
|-------------------|---|
| <b>Standards:</b> | The switches comply with the "Standards for low-voltage switching devices" DIN EN 60947-1 |
|-------------------|---|

### MECHANICAL CHARACTERISTICS

|                          |            |
|--------------------------|------------|
| <b>Switching action:</b> | Maintained |
|--------------------------|------------|

**Mechanical lifetime:** ≤3 Mil. cycles of operation  
**Operating force:** 6.2 N  
**Operating Travel:** ca. 5.8 mm ± 0.2 mm  
**Weight:** 0.047 kg

### AMBIENT CONDITION

**IP Protection:** IP65 front side  
**Operating temperature:** – 40 °C ... + 55 °C  
**Storage temperature:** – 40 °C ... + 85 °C

### CERTIFICATE

**REACH:** REACH compliant  
**RoHS:** RoHS compliant

### OTHER

**Short Description:** Actuator, 30 mm x 30 mm, 35 mm x 35 mm, Flush, Illuminated, Colourless, Plastic, transparent, Square, Silver, Plastic, Maintained

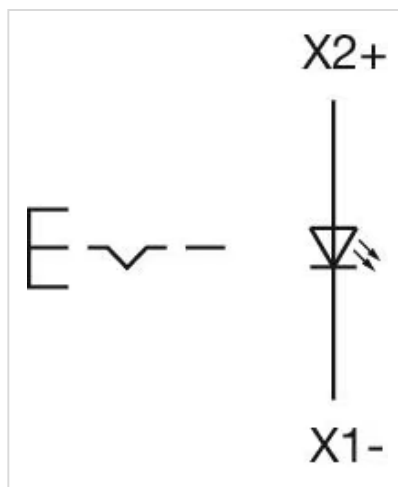
**Housing colour:** Black

**Housing material:** Plastic

**Hints:** Max. 3 switching elements can be clipped on  
The lamp block will be delivered with screw terminal

**max. number of switching elements:** 3

### Wiring diagrams:



### Mounting cut-outs:



- A = Screw terminal
- B = Push-in terminal (PIT)
- C = Plug-in terminal 6.3 mm x 0.8 mm
- D = Double plug-in terminal 6.3 mm x 0.8 mm

**Dimension drawings:**



- A = Screw terminal