

# Actuator

704.300.1KN

Distribution by  
Mouser



<https://mouser.eao.com/component/704.300.1KN/...>

Your product:

---



## 704.300.1KN Actuator

*Loading ...*

### FRONT

|                              |               |
|------------------------------|---------------|
| <b>Front dimension:</b>      | 30 mm x 30 mm |
| <b>Front form:</b>           | Square        |
| <b>Front bezel colour:</b>   | Grey          |
| <b>Front bezel material:</b> | Plastic       |

### MOUNTING

|                       |                |
|-----------------------|----------------|
| <b>Design:</b>        | Raised         |
| <b>Mounting type:</b> | Panel mounting |

### OPERATING-/INDICATION PART

|                          |         |
|--------------------------|---------|
| <b>Lever colour:</b>     | Black   |
| <b>Lever bar colour:</b> | Black   |
| <b>Lever material:</b>   | plastic |
| <b>Lever shape:</b>      | long    |

### MECHANICAL CHARACTERISTICS

|                |          |
|----------------|----------|
| <b>Weight:</b> | 0.023 kg |
|----------------|----------|

### CERTIFICATE

|               |                 |
|---------------|-----------------|
| <b>REACH:</b> | REACH compliant |
| <b>RoHS:</b>  | RoHS compliant  |

## OTHER

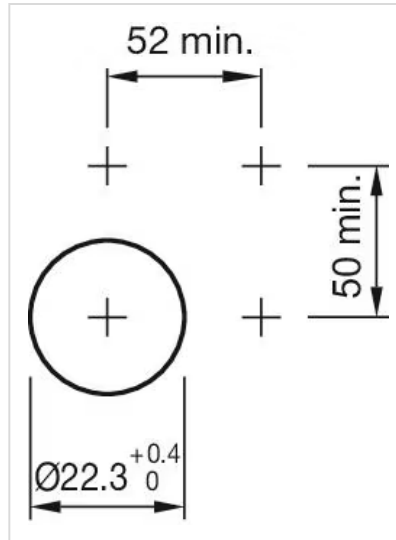
### Short Description:

Actuator, 30 mm x 30 mm, non illuminative, Black, long, Square, Grey, Plastic

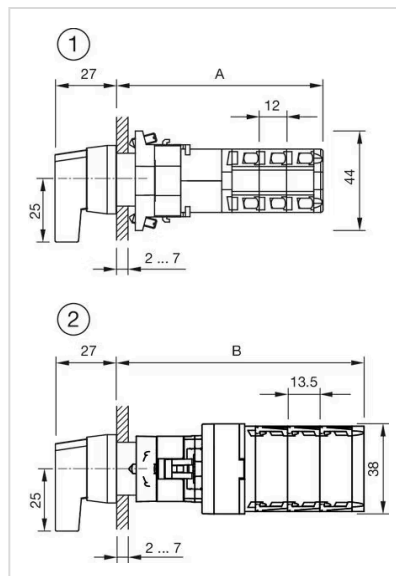
### max. number of switching elements:

1

### Mounting cut-outs:



### Dimension drawings:



1 = Kraus & Naimer switching element  
A = (Number of stages x 12) + 54.5 mm  
2 = Santon switching element  
B = (Number of stages x 13.5) + 54.5 mm